

PETAL™

ALABASTER BOWL FAMILY

Like a fully opened flower, carved petals radiate from the center of the simple yet elegant bowls of the Petal Family. A soft translucent stone, alabaster emits a pleasing luminosity.

**NEW
CLASSICS™**
Handmade in USA



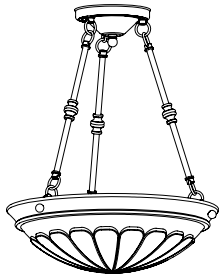
AL-1619-AA

PETAL™

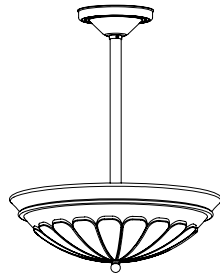
ALABASTER BOWL FAMILY

See our new classics online for more info.

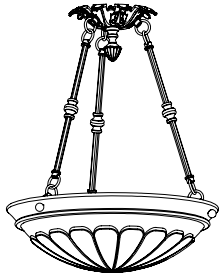
MOUNTS



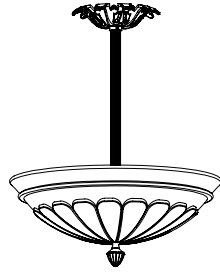
Multi-Stem



Single-Stem



Ornate Multi-Stem



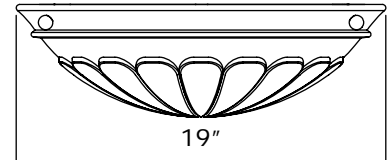
Ornate Single-Stem

Chain mount versions also available.

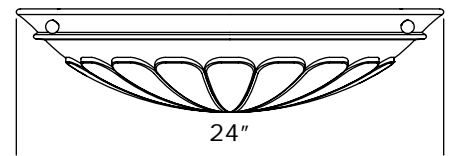
Cable mount versions also available.

Matching alabaster sconces also online.

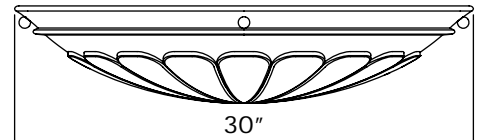
SIZES



19"



24"



30"

NEW
CLASSICS™
Handmade in USA

UL listed. Durable constructed from solid brass and real alabaster stone. Made in USA by Brass Light Gallery.

See our new classics online for more info.

BRASS LIGHT GALLERY
• MILWAUKEE •

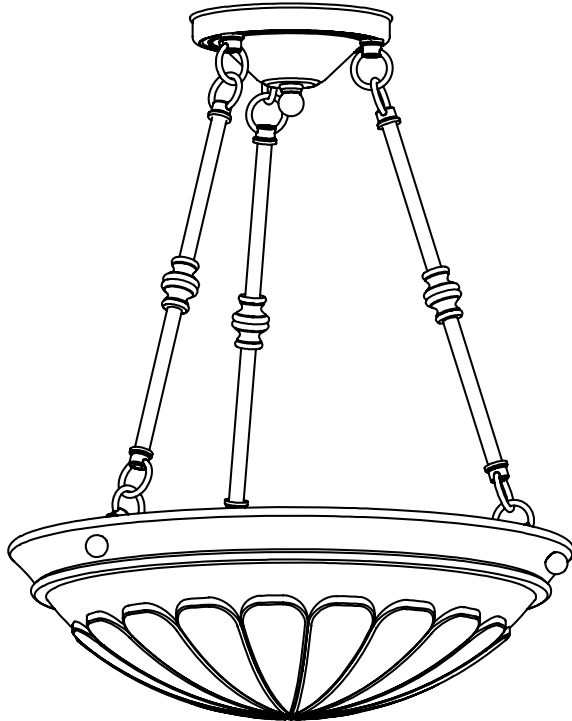
© 2012, Brass Light Gallery®

PETAL™ ALABASTER PENDANT

19" DIAM, MULTI-STEM

brasslightgallery.com 800-243-9595 sales@brasslight.com

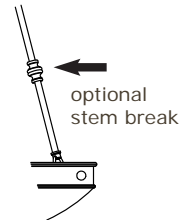
Petal Alabaster v1.2 page 3



**NEW
CLASSICS™**
Handmade in USA

FINISHES

Antique Copper	Distressed Brass
Antique Nickel	Polished Brass
Architectural Bronze	Polished Nickel
Architectural Iron	Satin Ant. Brass
Black	Unlacq. Pol. Brass
Brushed Brass	Verdigris Patina
Brushed Nickel	Vintage Nickel



AL-1619-AA

Medium base screw-in sockets (3) each accept 75 W max incandescent, compact fluorescent, or LED.

GU24 base bi-pin socket available. 277V 4 pin socket alternative, inquire.

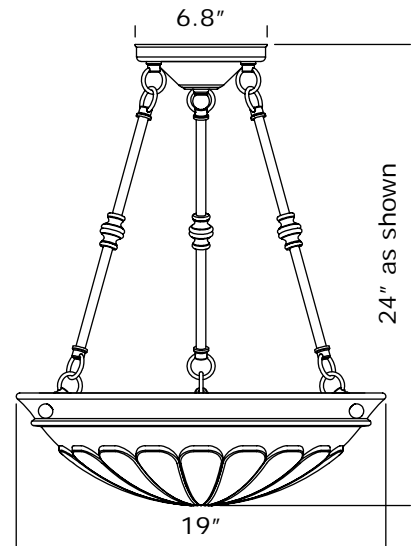
Center mount to junction box.

Specify overall length. Minimum overall length 12".

UL listed dry location.

Durably constructed of solid brass and real alabaster stone.

Made in USA by Brass Light Gallery.



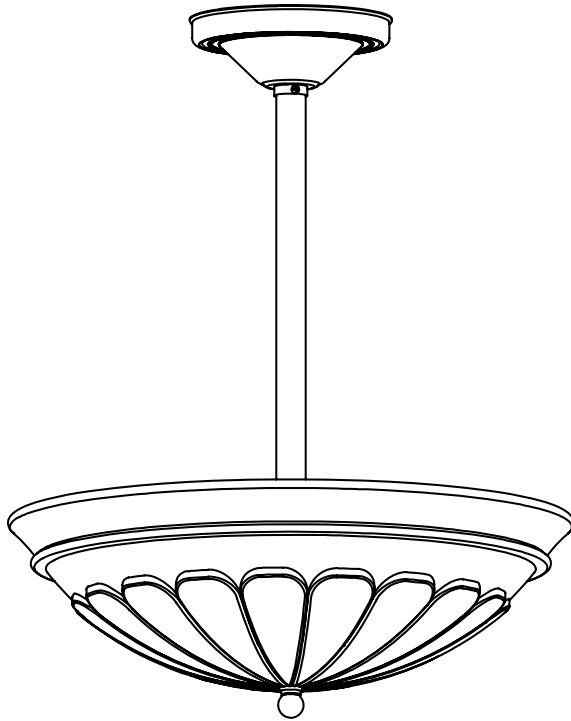
BRASS LIGHT GALLERY
• MILWAUKEE •

© 2012, Brass Light Gallery®

PETAL™ ALABASTER PENDANT

19" DIAM, SINGLE-STEM

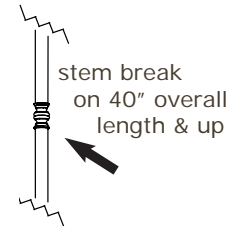
brasslightgallery.com 800-243-9595 sales@brasslight.com



**NEW
CLASSICS™**
Handmade in USA

FINISHES

Antique Copper	Distressed Brass
Antique Nickel	Polished Brass
Architectural Bronze	Polished Nickel
Architectural Iron	Satin Ant. Brass
Black	Unlacq. Pol. Brass
Brushed Brass	Verdigris Patina
Brushed Nickel	Vintage Nickel



AL-1619-AB

Medium base screw-in sockets (2) each accept 75 W max incandescent, compact fluorescent, or LED.

GU24 base bi-pin socket available. 277V 4 pin socket alternative, inquire.

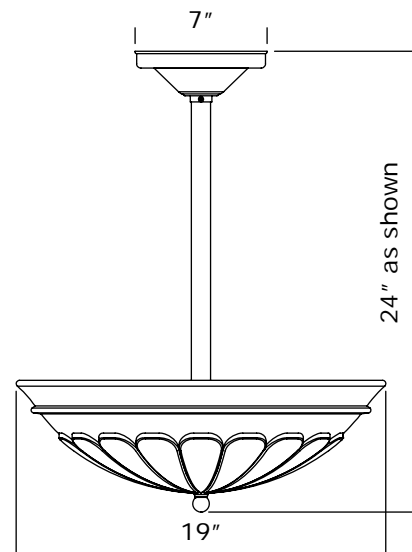
Center mount to junction box.

Specify overall length. Minimum overall length 12".

UL listed dry location.

Durably constructed of solid brass and real alabaster stone.

Made in USA by Brass Light Gallery.

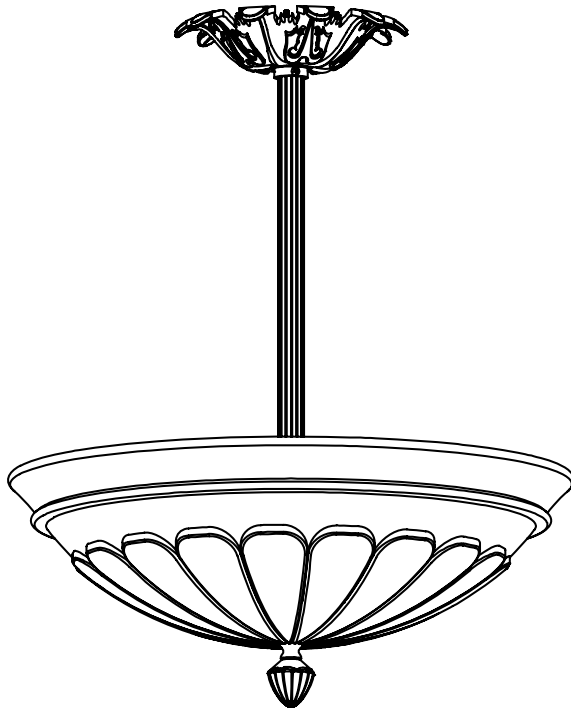


Petal Alabaster v1.2 page 4

PETAL™ ALABASTER PENDANT

19" DIAM, ORNATE SINGLE-STEM

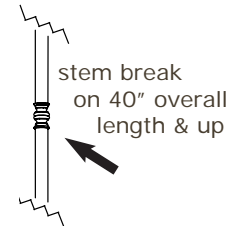
brasslightgallery.com 800-243-9595 sales@brasslight.com



**NEW
CLASSICS™**
Handmade in USA

FINISHES

Antique Copper	Distressed Brass
Antique Nickel	Polished Brass
Architectural Bronze	Polished Nickel
Architectural Iron	Satin Ant. Brass
Black	Unlacq. Pol. Brass
Brushed Brass	Verdigris Patina
Brushed Nickel	Vintage Nickel



AL-1619-AD

Medium base screw-in sockets (2) each accept 75 W max incandescent, compact fluorescent, or LED.

GU24 base bi-pin socket available. 277V 4 pin socket alternative, inquire.

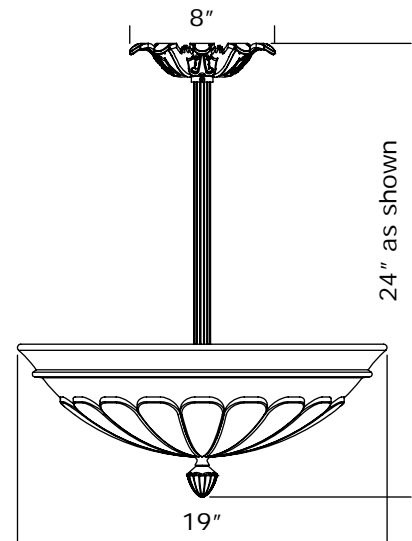
Center mount to junction box.

Specify overall length. Minimum overall length 12".

UL listed dry location.

Durably constructed of solid brass and real alabaster stone.

Made in USA by Brass Light Gallery.



Petal Alabaster v1.2 page 5

BRASS LIGHT GALLERY
• MILWAUKEE •

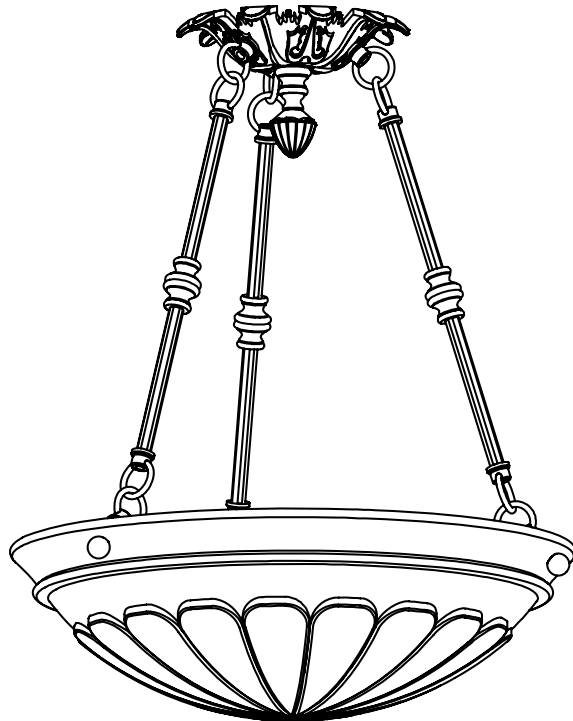
© 2012, Brass Light Gallery®

PETAL™ ALABASTER PENDANT

19" DIAM, ORNATE MULTI-STEM

brasslightgallery.com 800-243-9595 sales@brasslight.com

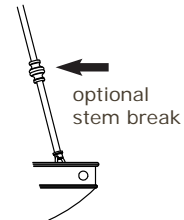
Petal Alabaster v1.2 page 6



**NEW
CLASSICS™**
Handmade in USA

FINISHES

Antique Copper	Distressed Brass
Antique Nickel	Polished Brass
Architectural Bronze	Polished Nickel
Architectural Iron	Satin Ant. Brass
Black	Unlacq. Pol. Brass
Brushed Brass	Verdigris Patina
Brushed Nickel	Vintage Nickel



AL-1619-AF

Medium base screw-in sockets (3) each accept 75 W max incandescent, compact fluorescent, or LED.

GU24 base bi-pin socket available. 277V 4 pin socket alternative, inquire.

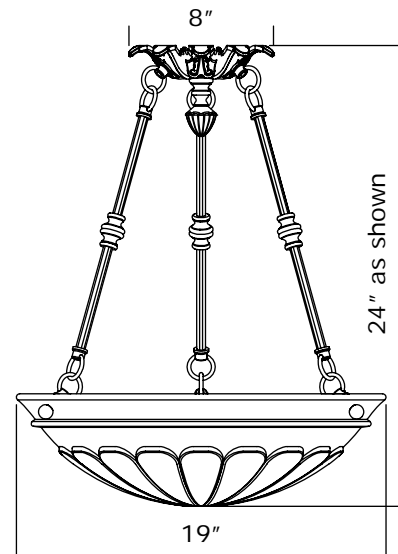
Center mount to junction box.

Specify overall length. Minimum overall length 12".

UL listed dry location.

Durably constructed of solid brass and real alabaster stone.

Made in USA by Brass Light Gallery.



BRASS LIGHT GALLERY
• MILWAUKEE •

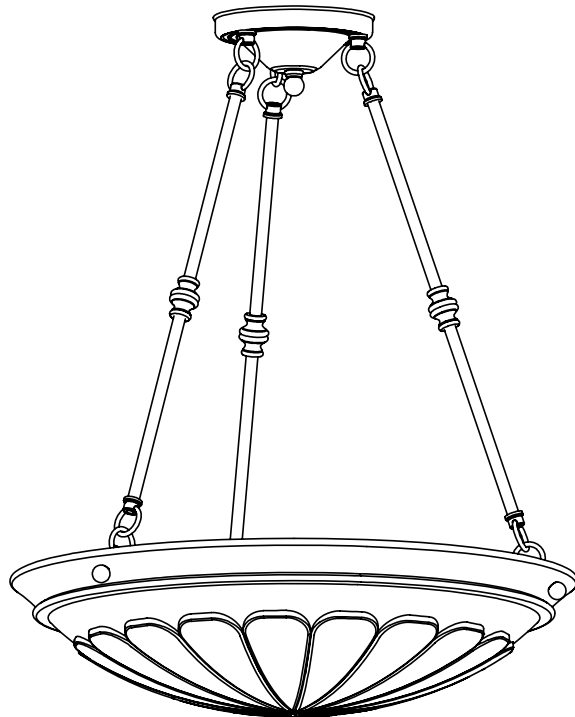
© 2012, Brass Light Gallery®

PETAL™ ALABASTER PENDANT

24" DIAM, MULTI-STEM

brasslightgallery.com 800-243-9595 sales@brasslight.com

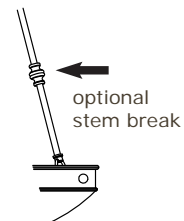
Petal Alabaster v1.2 page 7



NEW CLASSICS™
Handmade in USA

FINISHES

Antique Copper	Distressed Brass
Antique Nickel	Polished Brass
Architectural Bronze	Polished Nickel
Architectural Iron	Satin Ant. Brass
Black	Unlacq. Pol. Brass
Brushed Brass	Verdigris Patina
Brushed Nickel	Vintage Nickel



AL-1624-AA

Medium base screw-in sockets (3) each accept 100 W max incandescent, compact fluorescent, or LED.

GU24 base bi-pin socket available. 277V 4 pin socket alternative, inquire.

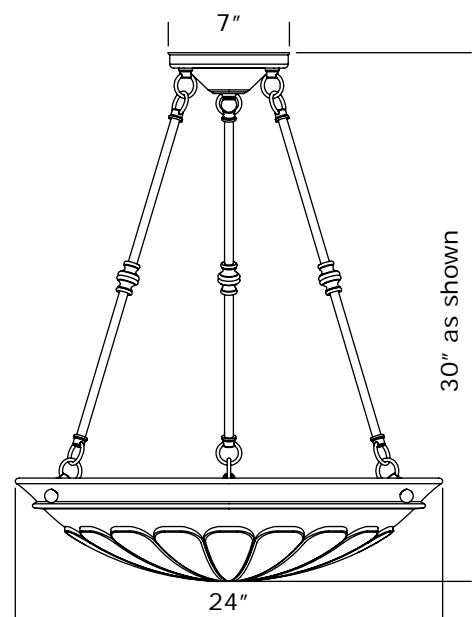
Center mount to junction box.

Specify overall length. Minimum overall length 12".

UL listed dry location.

Durably constructed of solid brass and real alabaster stone.

Made in USA by Brass Light Gallery.

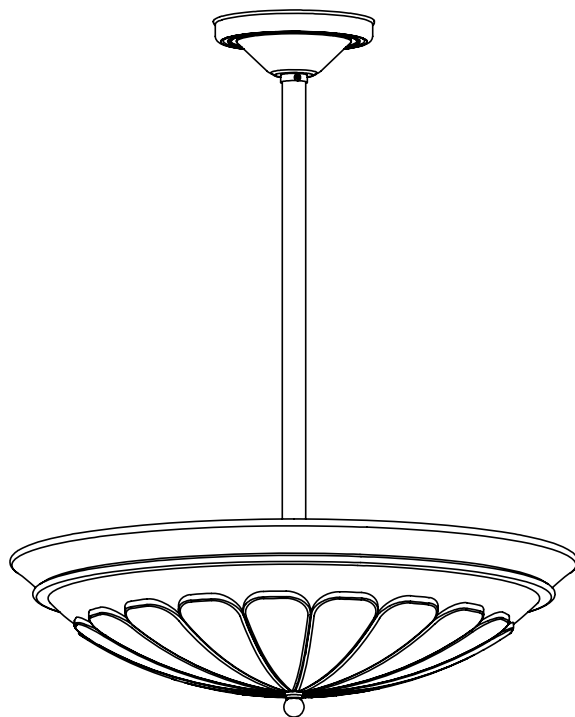


PETAL™ ALABASTER PENDANT

24" DIAM, SINGLE-STEM

brasslightgallery.com 800-243-9595 sales@brasslight.com

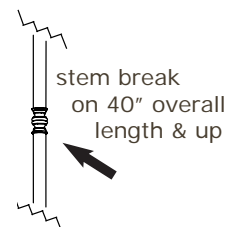
Petal Alabaster v1.2 page 8



**NEW
CLASSICS™**
Handmade in USA

FINISHES

Antique Copper	Distressed Brass
Antique Nickel	Polished Brass
Architectural Bronze	Polished Nickel
Architectural Iron	Satin Ant. Brass
Black	Unlacq. Pol. Brass
Brushed Brass	Verdigris Patina
Brushed Nickel	Vintage Nickel



AL-1624-AB

Medium base screw-in sockets (4) each accept 60 W max incandescent, compact fluorescent, or LED.

GU24 base bi-pin socket available. 277V 4 pin socket alternative, inquire.

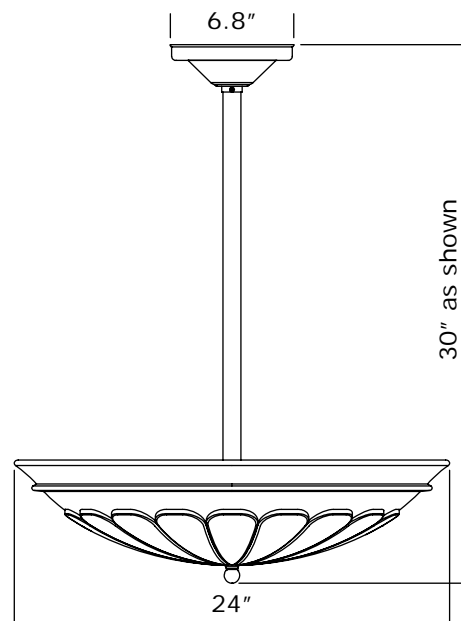
Center mount to junction box.

Specify overall length. Minimum overall length 12".

UL listed dry location.

Durably constructed of solid brass and real alabaster stone.

Made in USA by Brass Light Gallery.



BRASS LIGHT GALLERY
• MILWAUKEE •

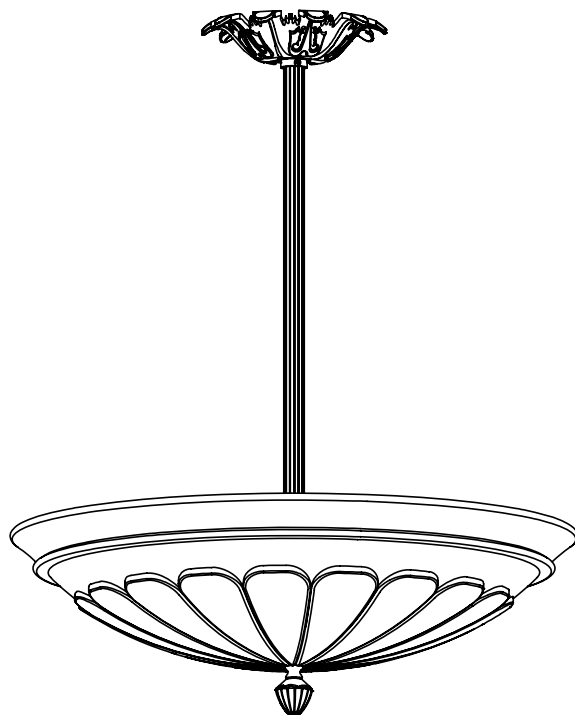
© 2012, Brass Light Gallery®

PETAL™ ALABASTER PENDANT

24" DIAM, ORNATE SINGLE-STEM

brasslightgallery.com 800-243-9595 sales@brasslight.com

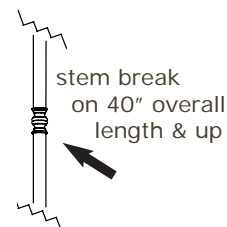
Petal Alabaster v1.2 page 9



**NEW
CLASSICS™**
Handmade in USA

FINISHES

Antique Copper	Distressed Brass
Antique Nickel	Polished Brass
Architectural Bronze	Polished Nickel
Architectural Iron	Satin Ant. Brass
Black	Unlacq. Pol. Brass
Brushed Brass	Verdigris Patina
Brushed Nickel	Vintage Nickel



AL-1624-AD

Medium base screw-in sockets (4) each accept 60 W max incandescent, compact fluorescent, or LED.

GU24 base bi-pin socket available. 277V 4 pin socket alternative, inquire.

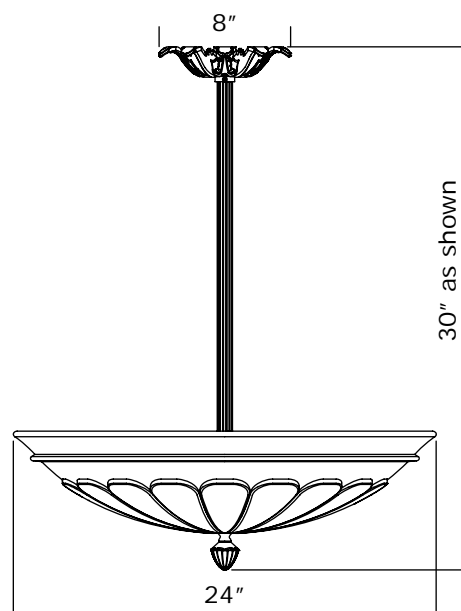
Center mount to junction box.

Specify overall length. Minimum overall length 12".

UL listed dry location.

Durably constructed of solid brass and real alabaster stone.

Made in USA by Brass Light Gallery.



BRASS LIGHT GALLERY
• MILWAUKEE •

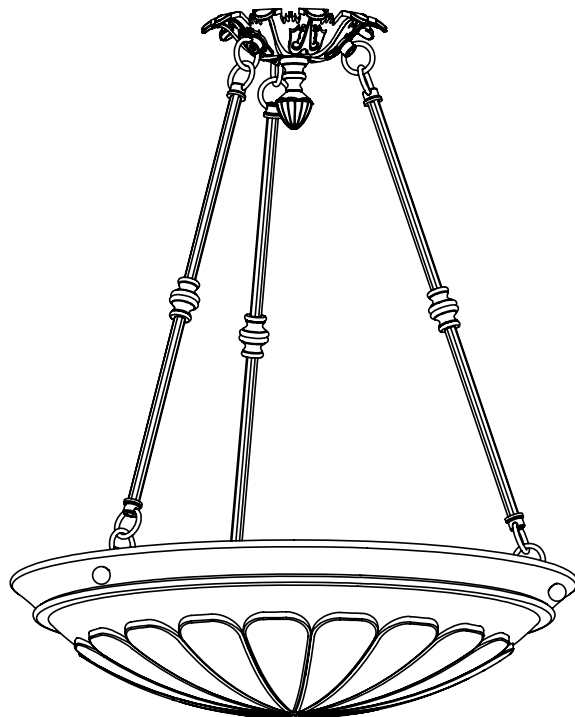
© 2012, Brass Light Gallery®

PETAL™ ALABASTER PENDANT

24" DIAM, ORNATE MULTI-STEM

brasslightgallery.com 800-243-9595 sales@brasslight.com

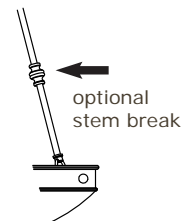
Petal Alabaster v1.2 page 10



NEW CLASSICS™
Handmade in USA

FINISHES

Antique Copper	Distressed Brass
Antique Nickel	Polished Brass
Architectural Bronze	Polished Nickel
Architectural Iron	Satin Ant. Brass
Black	Unlacq. Pol. Brass
Brushed Brass	Verdigris Patina
Brushed Nickel	Vintage Nickel



AL-1624-AF

Medium base screw-in sockets (3) each accept 100 W max incandescent, compact fluorescent, or LED.

GU24 base bi-pin socket available. 277V 4 pin socket alternative, inquire.

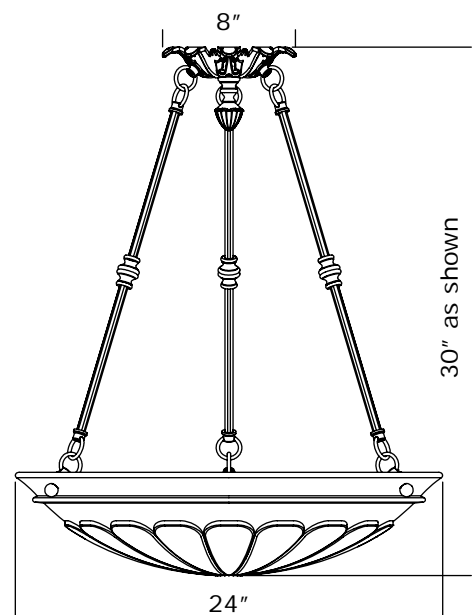
Center mount to junction box.

Specify overall length. Minimum overall length 12".

UL listed dry location.

Durably constructed of solid brass and real alabaster stone.

Made in USA by Brass Light Gallery.



BRASS LIGHT GALLERY
• MILWAUKEE •

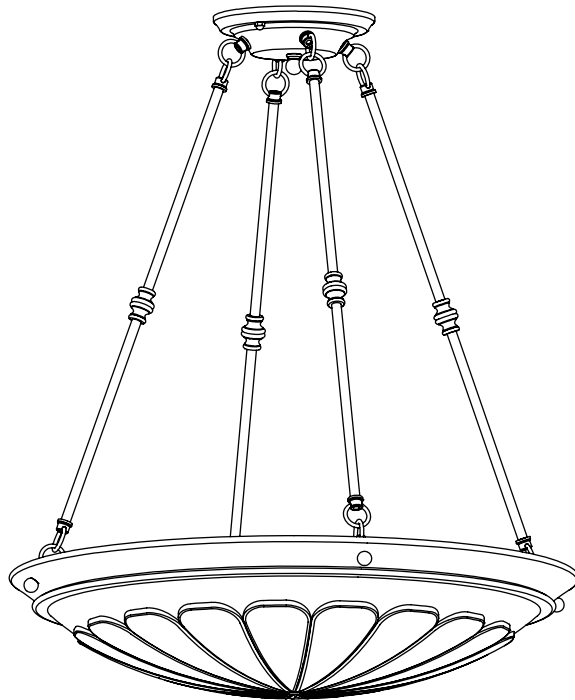
© 2012, Brass Light Gallery®

PETAL™ ALABASTER PENDANT

30" DIAM, MULTI-STEM

brasslightgallery.com 800-243-9595 sales@brasslight.com

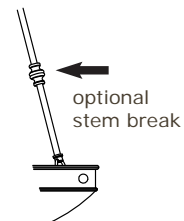
Petal Alabaster v1.2 page 11



NEW CLASSICS™
Handmade in USA

FINISHES

Antique Copper	Distressed Brass
Antique Nickel	Polished Brass
Architectural Bronze	Polished Nickel
Architectural Iron	Satin Ant. Brass
Black	Unlacq. Pol. Brass
Brushed Brass	Verdigris Patina
Brushed Nickel	Vintage Nickel



AL-1630-AA

Medium base screw-in sockets (4) each accept 100 W max incandescent, compact fluorescent, or LED.

GU24 base bi-pin socket available. 277V 4 pin socket alternative, inquire.

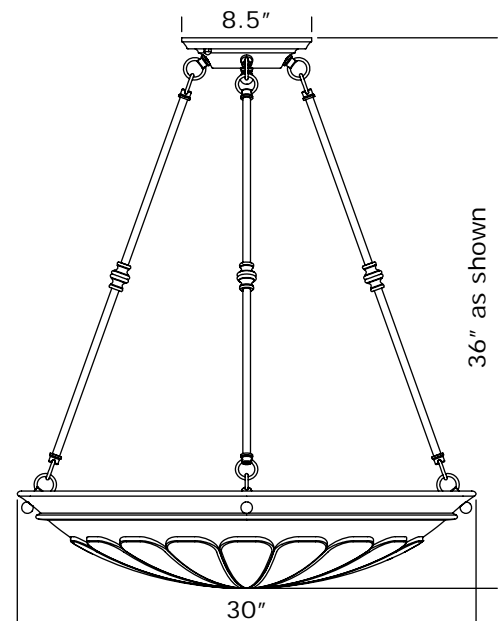
Center mount to junction box.

Specify overall length. Minimum overall length 12".

UL listed dry location.

Durably constructed of solid brass and real alabaster stone.

Made in USA by Brass Light Gallery.



BRASS LIGHT GALLERY
• MILWAUKEE •

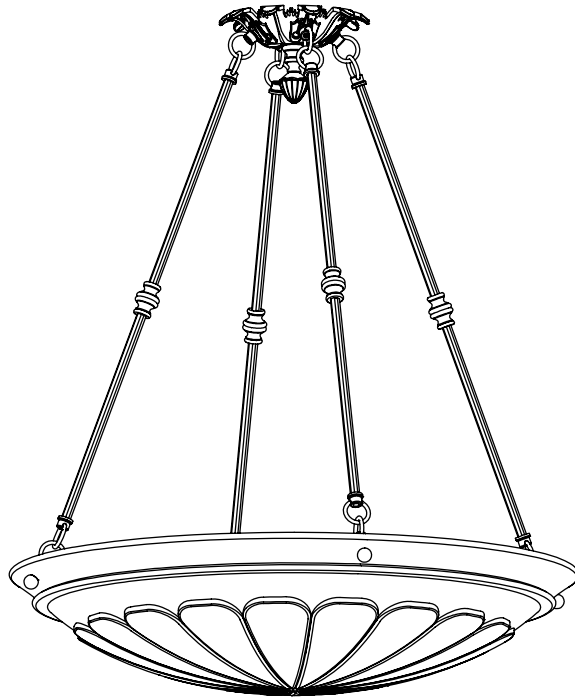
© 2012, Brass Light Gallery®

PETAL™ ALABASTER PENDANT

30" DIAM, ORNATE MULTI-STEM

brasslightgallery.com 800-243-9595 sales@brasslight.com

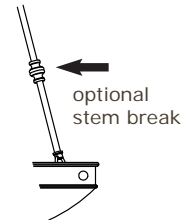
Petal Alabaster v1.2 page 12



**NEW
CLASSICS™**
Handmade in USA

FINISHES

Antique Copper	Distressed Brass
Antique Nickel	Polished Brass
Architectural Bronze	Polished Nickel
Architectural Iron	Satin Ant. Brass
Black	Unlacq. Pol. Brass
Brushed Brass	Verdigris Patina
Brushed Nickel	Vintage Nickel



AL-1630-AF

Medium base screw-in sockets (4) each accept 100 W max incandescent, compact fluorescent, or LED.

GU24 base bi-pin socket available. 277V 4 pin socket alternative, inquire.

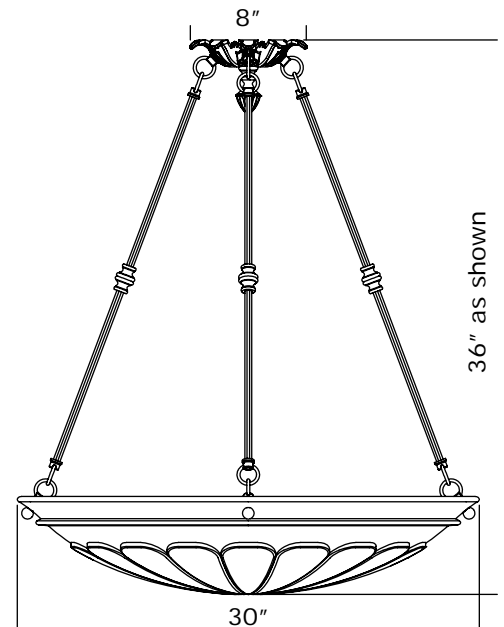
Center mount to junction box.

Specify overall length. Minimum overall length 12".

UL listed dry location.

Durably constructed of solid brass and real alabaster stone.

Made in USA by Brass Light Gallery.



BRASS LIGHT GALLERY
• MILWAUKEE •

© 2012, Brass Light Gallery®