

NASHOTA™ FAMILY

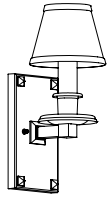
A modern interpretation of traditional Arts & Crafts interior lighting fixtures, our Nashota™ Family features clean and contemporary lines, detailed with square beveled rivets. Nashota™ light fixtures harmonize with Arts & Crafts, Contemporary, and Rustic Style interiors.



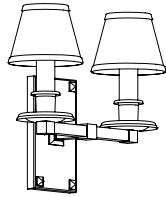
NEW
CLASSICS™
Handmade in USA

NASHOTA™ FAMILY

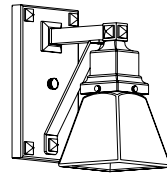
INTERIOR LIGHTING FIXTURES



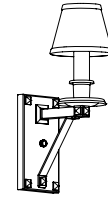
PA-125-B7



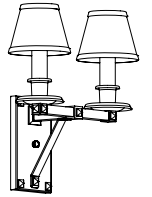
PA-126-B7



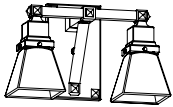
PA-127-B1



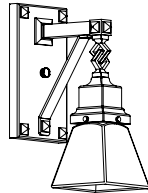
PA-128-B7



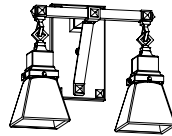
PA-129-B7



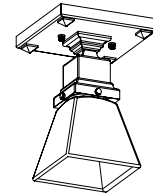
PA-130-B1



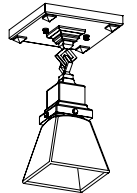
PA-131-B1



PA-132-B1



PA-401-B1-01M



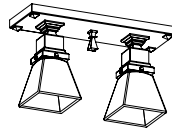
PA-401-B1-02M



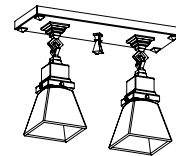
PA-401-B1-15M



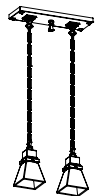
PA-402-B1-03M



PA-404-B1-01M



PA-404-B1-02M



PA-404-B1-15M

brasslightgallery.com 800-243-9595 sales@brasslight.com

Nashota Family v1.0 page 2

Alternative sconces, pendants, ceiling fixtures, and chandeliers in this style are available, please inquire.

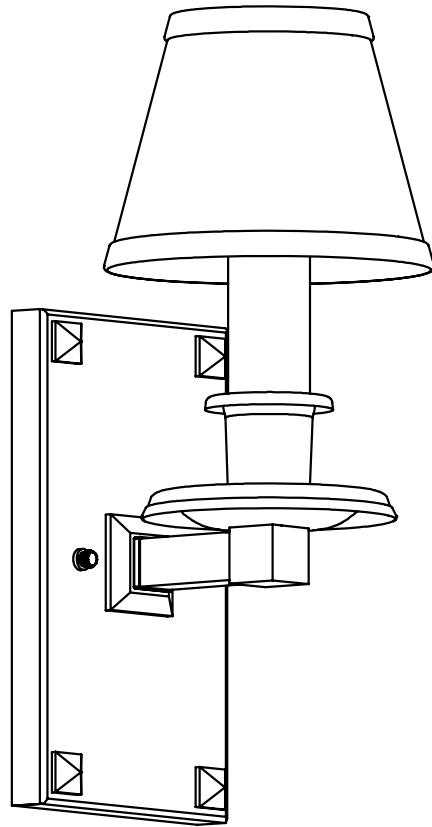
BRASS LIGHT GALLERY
• MILWAUKEE •

© 2013, Brass Light Gallery®

NASHOTA™ ONE LIGHT STRAIGHT ARM SCONCE

WITH ELECTRIC CANDLE

brasslightgallery.com 800-243-9595 sales@brasslight.com

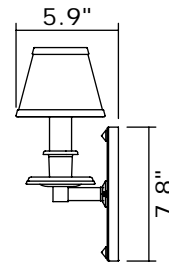


**NEW
CLASSICS™**
Handmade in USA

FINISHES - applied by hand.

Polished Nickel	Architectural Bronze
Brushed Nickel	Verdigris Patina
Black	Distressed Brass
Brushed Brass	Antique Copper
Polished Brass	Satin Antique Brass
Antique Nickel	Unlacquered Pol. Brass

Other finishes available for additional charge, inquire.



PA-125-B7 Shown with E220 shade(s)

Medium base screw-in socket (1) accepts 60 W max incandescent or compact fluorescent/LED equivalents.

GU24 base bi-pin socket available. 277V 4 pin socket alternative, inquire.

Check online for alternative clip-on shades rated at 40 to 100 watts with this fixture.

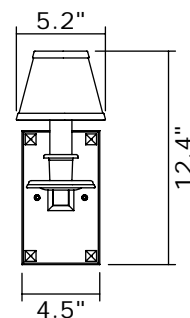
Mounting plate center mounts to junction box.

Mount candle up.

UL listed dry location light fixture.

Durably constructed of solid brass.

Wall Sconce made in USA by Brass Light Gallery.



Nashota Family v1.0 page 3

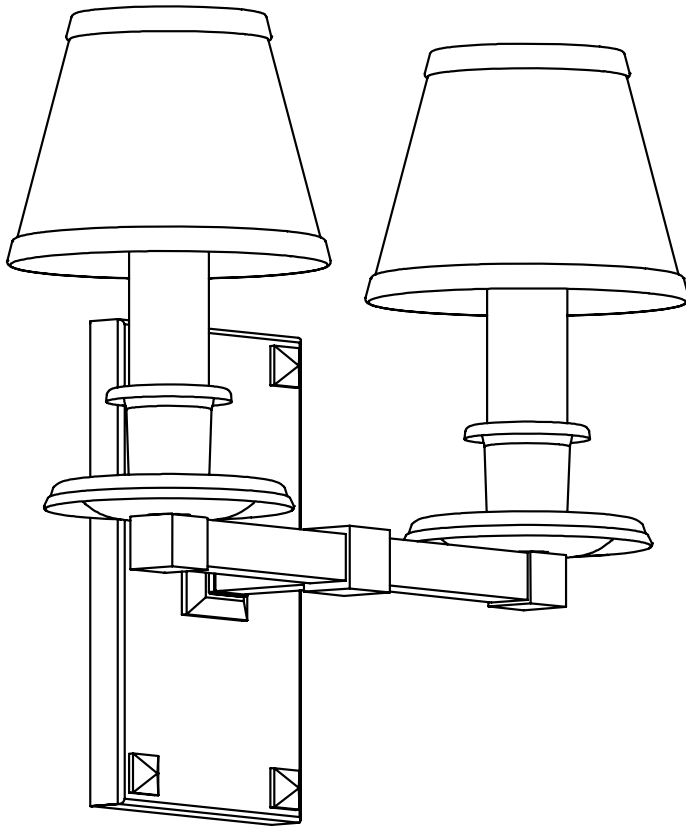
BRASS LIGHT GALLERY
• MILWAUKEE •

© 2013, Brass Light Gallery®

NASHOTA™ TWO LIGHT STRAIGHT ARM SCONCE

WITH ELECTRIC CANDLES

brasslightgallery.com 800-243-9595 sales@brasslight.com



**NEW
CLASSICS™**
Handmade in USA

FINISHES - applied by hand.

Polished Nickel	Architectural Bronze
Brushed Nickel	Verdigris Patina
Black	Distressed Brass
Brushed Brass	Antique Copper
Polished Brass	Satin Antique Brass
Antique Nickel	Unlacquered Pol. Brass

Other finishes available for additional charge, inquire.

PA-126-B7 Shown with E220 shade(s)

Medium base screw-in sockets (2) each accept 60 W max incandescent or compact fluorescent/LED equivalents.

GU24 base bi-pin socket available. 277V 4 pin socket alternative, inquire.

Check online for alternative clip-on shades rated at 40 to 100 watts with this fixture.

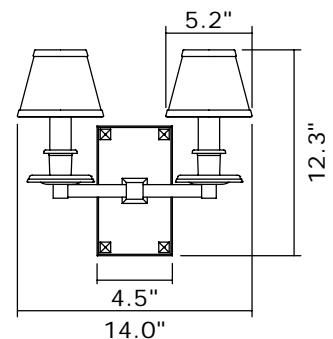
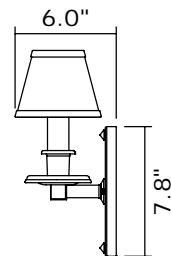
Mounting plate center mounts to junction box.

Mount candle up.

UL listed dry location light fixture.

Durably constructed of solid brass.

Wall Sconce made in USA by Brass Light Gallery.



Nashota Family v1.0 page 4

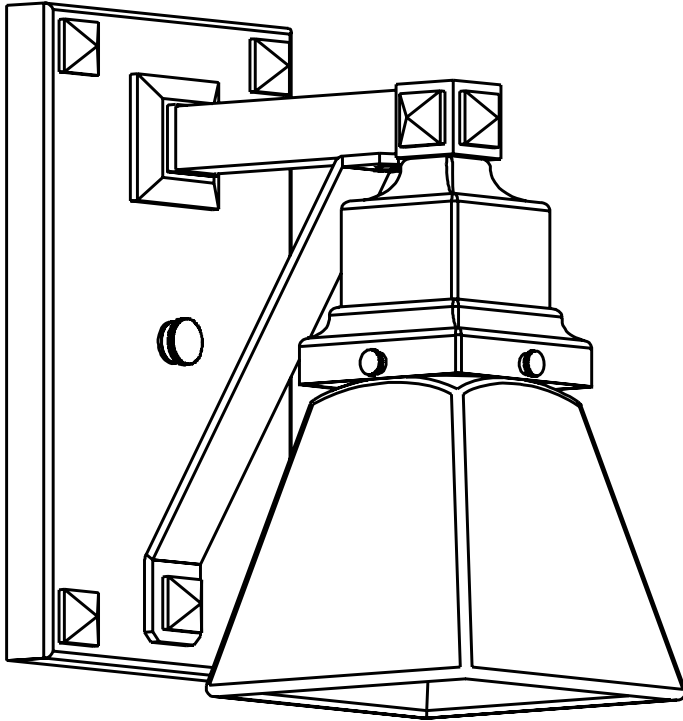
BRASS LIGHT GALLERY
• MILWAUKEE •

© 2013, Brass Light Gallery®

NASHOTA™ ONE LIGHT BRACKET SCONCE

WITH 2-1/4" SHADE HOLDER

brasslightgallery.com 800-243-9595 sales@brasslight.com



**NEW
CLASSICS™**
Handmade in USA

FINISHES - applied by hand.

Polished Nickel	Architectural Bronze
Brushed Nickel	Verdigris Patina
Black	Distressed Brass
Brushed Brass	Antique Copper
Polished Brass	Satin Antique Brass
Antique Nickel	Unlacquered Pol. Brass

Other finishes available for additional charge, inquire.

PA-127-B1 Shown with A101 shade(s)

Medium base screw-in socket (1) accepts 150 W max incandescent or compact fluorescent/LED equivalents.

GU24 base bi-pin socket available. 277V 4 pin socket alternative, inquire.

Check our website for alternative 2-1/4" shades.

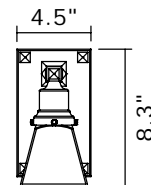
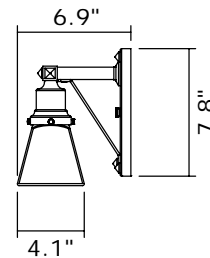
Mounting plate center mounts to junction box.

Mount down only.

UL listed dry location light fixture. Damp location available, inquire.

Durably constructed of solid brass.

Wall Sconce made in USA by Brass Light Gallery.

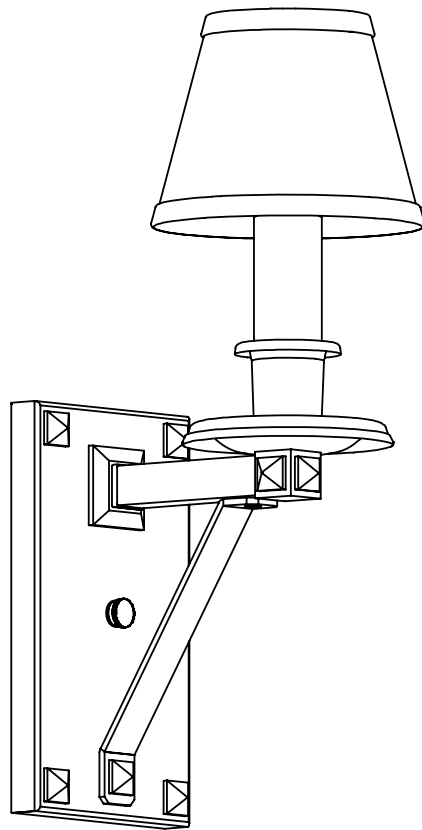


Nashota Family v1.0 page 5

NASHOTA™ ONE LIGHT BRACKET SCONCE

WITH ELECTRIC CANDLE

brasslightgallery.com 800-243-9595 sales@brasslight.com



**NEW
CLASSICS™**
Handmade in USA

FINISHES - applied by hand.

Polished Nickel	Architectural Bronze
Brushed Nickel	Verdigris Patina
Black	Distressed Brass
Brushed Brass	Antique Copper
Polished Brass	Satin Antique Brass
Antique Nickel	Unlacquered Pol. Brass

Other finishes available for additional charge, inquire.

PA-128-B7 Shown with E220 shade(s)

Medium base screw-in socket (1) accepts 60 W max incandescent or compact fluorescent/LED equivalents.

GU24 base bi-pin socket available. 277V 4 pin socket alternative, inquire.

Check online for alternative clip-on shades rated at 40 to 100 watts with this fixture.

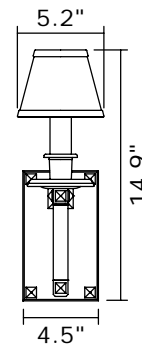
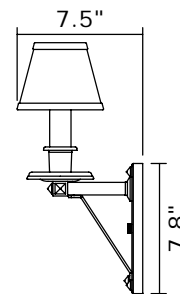
Mounting plate center mounts to junction box.

Mount candle up.

UL listed dry location light fixture.

Durably constructed of solid brass.

Wall Sconce made in USA by Brass Light Gallery.



Nashota Family v1.0 page 6

BRASS LIGHT GALLERY
• MILWAUKEE •

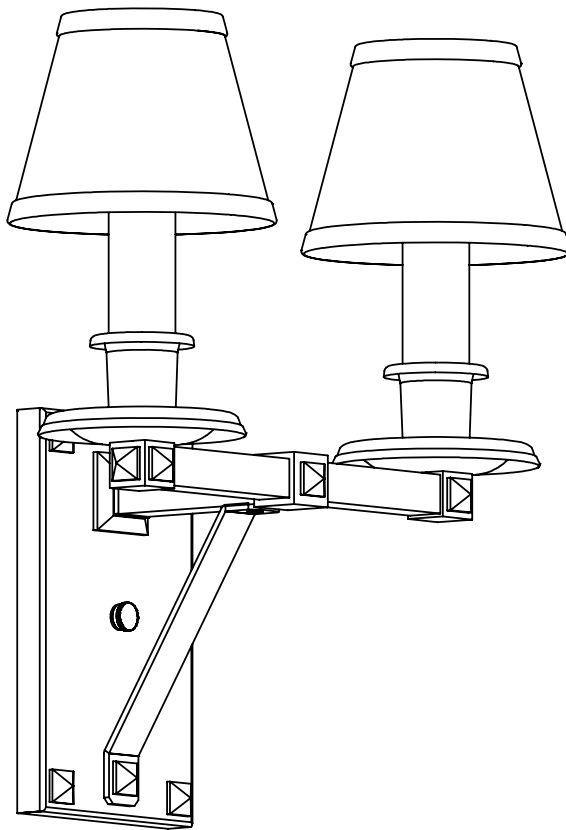
© 2013, Brass Light Gallery®

NASHOTA™ TWO LIGHT BRACKET SCONCE

WITH ELECTRIC CANDLES

brasslightgallery.com 800-243-9595 sales@brasslight.com

Nashota Family v1.0 page 7

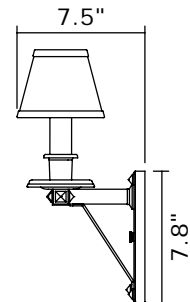


**NEW
CLASSICS™**
Handmade in USA

FINISHES - applied by hand.

Polished Nickel	Architectural Bronze
Brushed Nickel	Verdigris Patina
Black	Distressed Brass
Brushed Brass	Antique Copper
Polished Brass	Satin Antique Brass
Antique Nickel	Unlacquered Pol. Brass

Other finishes available for additional charge, inquire.



PA-129-B7 Shown with E220 shade(s)

Medium base screw-in sockets (2) each accept 60 W max incandescent or compact fluorescent/LED equivalents.

GU24 base bi-pin socket available. 277V 4 pin socket alternative, inquire.

Check online for alternative clip-on shades rated at 40 to 100 watts with this fixture.

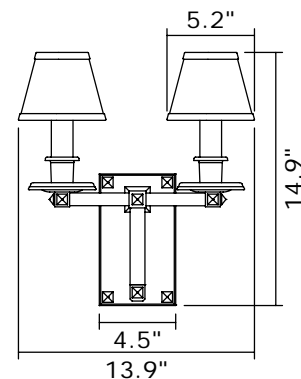
Mounting plate center mounts to junction box.

Mount candle up.

UL listed dry location light fixture.

Durably constructed of solid brass.

Wall Sconce made in USA by Brass Light Gallery.



BRASS LIGHT GALLERY
• MILWAUKEE •

© 2013, Brass Light Gallery®

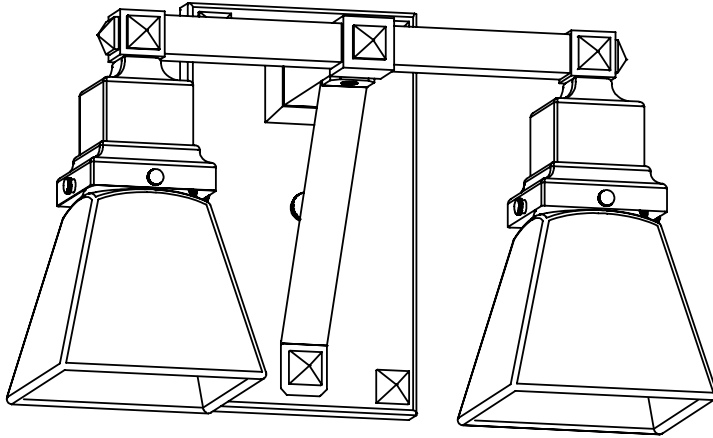
NASHOTA™ TWO LIGHT BRACKET SCONCE

WITH 2-1/4" SHADE HOLDERS

brasslightgallery.com 800-243-9595 sales@brasslight.com

Nashota Family v1.0 page 8

**NEW
CLASSICS™**
Handmade in USA



FINISHES - applied by hand.

Polished Nickel	Architectural Bronze
Brushed Nickel	Verdigris Patina
Black	Distressed Brass
Brushed Brass	Antique Copper
Polished Brass	Satin Antique Brass
Antique Nickel	Unlacquered Pol. Brass

Other finishes available for additional charge, inquire.

PA-130-B1 Shown with A101 shade(s)

Medium base screw-in sockets (2) each accept 150 W max incandescent or compact fluorescent/LED equivalents.

GU24 base bi-pin socket available. 277V 4 pin socket alternative, inquire.

Check our website for alternative 2-1/4" shades.

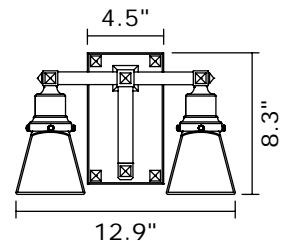
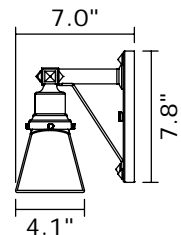
Mounting plate center mounts to junction box.

Mount down only.

UL listed dry location light fixture. Damp location available, inquire.

Durably constructed of solid brass.

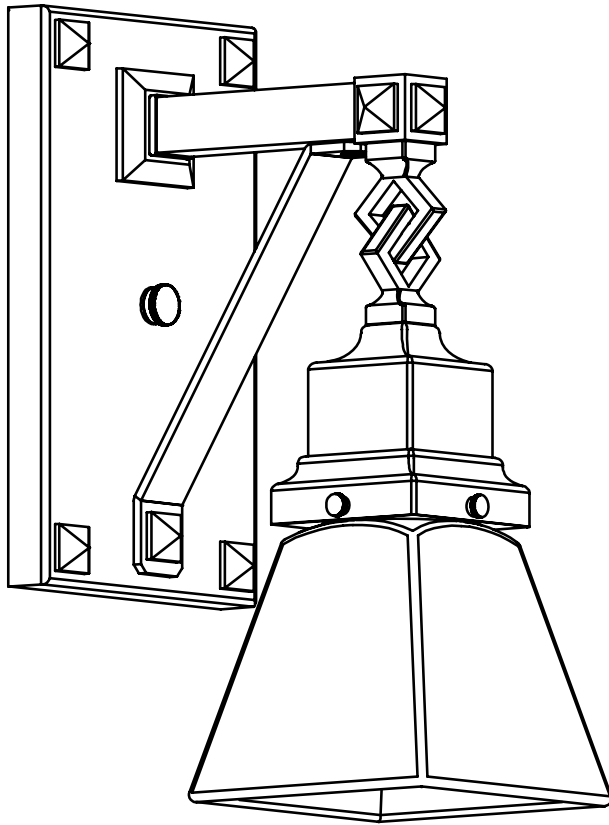
Wall Sconce made in USA by Brass Light Gallery.



NASHOTA™ ONE LIGHT CHAIN LINK SCONCE

WITH 2-1/4" SHADE HOLDER

brasslightgallery.com 800-243-9595 sales@brasslight.com



**NEW
CLASSICS™**
Handmade in USA

FINISHES - applied by hand.

Polished Nickel	Architectural Bronze
Brushed Nickel	Verdigris Patina
Black	Distressed Brass
Brushed Brass	Antique Copper
Polished Brass	Satin Antique Brass
Antique Nickel	Unlacquered Pol. Brass

Other finishes available for additional charge, inquire.

PA-131-B1 Shown with A101 shade(s)

Medium base screw-in socket (1) accepts 150 W max incandescent or compact fluorescent/LED equivalents.

GU24 base bi-pin socket available. 277V 4 pin socket alternative, inquire.

Check our website for alternative 2-1/4" shades.

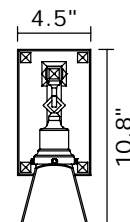
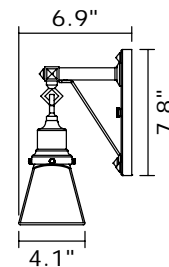
Mounting plate center mounts to junction box.

Mount down only.

UL listed dry location light fixture. Damp location available, inquire.

Durably constructed of solid brass.

Wall Sconce made in USA by Brass Light Gallery.



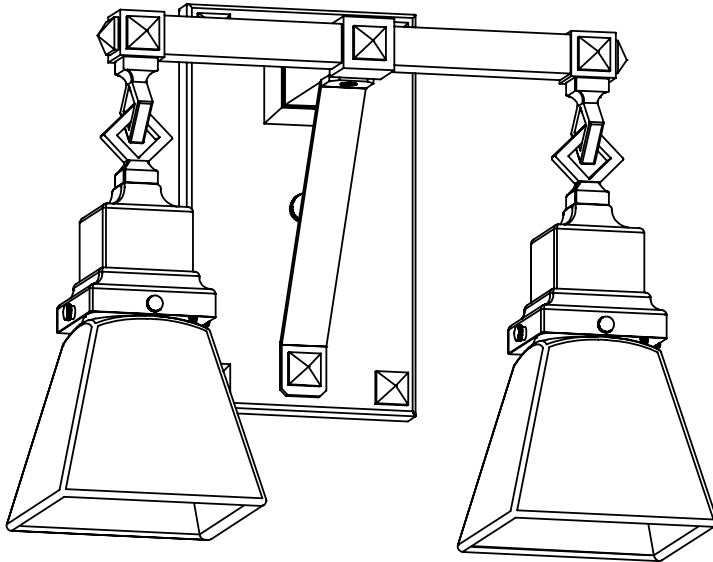
Nashota Family v1.0 page 9

NASHOTA™ TWO LIGHT CHAIN LINK SCONCE

WITH 2-1/4" SHADE HOLDERS

brasslightgallery.com 800-243-9595 sales@brasslight.com

Nashota Family v1.0 page 10



**NEW
CLASSICS™**
Handmade in USA

FINISHES - applied by hand.

Polished Nickel	Architectural Bronze
Brushed Nickel	Verdigris Patina
Black	Distressed Brass
Brushed Brass	Antique Copper
Polished Brass	Satin Antique Brass
Antique Nickel	Unlacquered Pol. Brass

Other finishes available for additional charge, inquire.

PA-132-B1 Shown with A101 shade(s)

Medium base screw-in sockets (2) each accept 150 W max incandescent or compact fluorescent/LED equivalents.

GU24 base bi-pin socket available. 277V 4 pin socket alternative, inquire.

Check our website for alternative 2-1/4" shades.

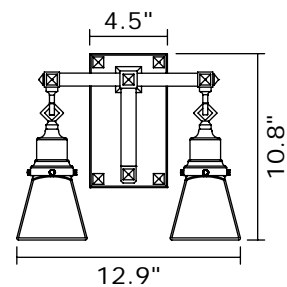
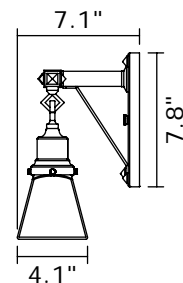
Mounting plate center mounts to junction box.

Mount down only.

UL listed dry location light fixture. Damp location available, inquire.

Durably constructed of solid brass.

Wall Sconce made in USA by Brass Light Gallery.

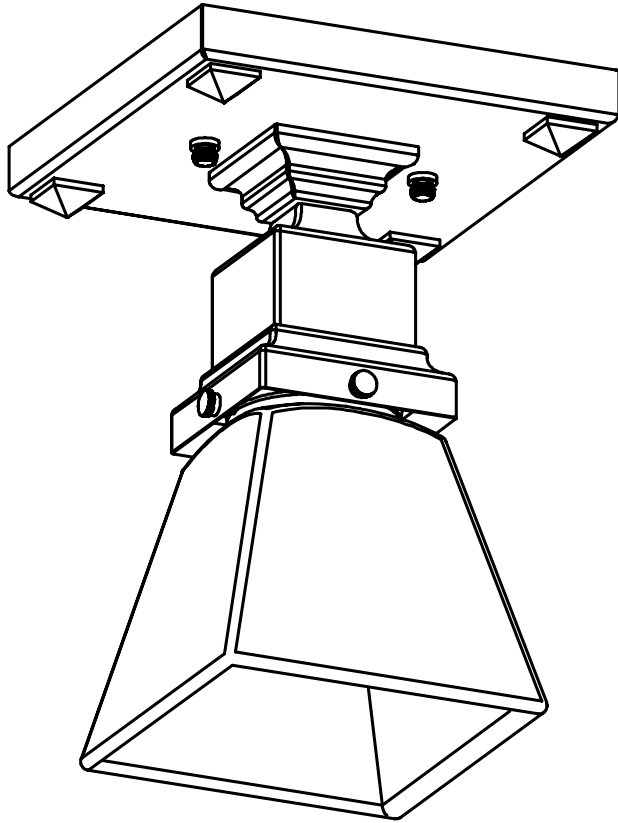


BRASS LIGHT GALLERY
• MILWAUKEE •

© 2013, Brass Light Gallery®

NASHOTA™ ONE LIGHT SEMI FLUSH CEILING FIXTURE

WITH 2-1/4" SHADE HOLDER



**NEW
CLASSICS™**
Handmade in USA

FINISHES - applied by hand.

Polished Nickel	Architectural Bronze
Brushed Nickel	Verdigris Patina
Black	Distressed Brass
Brushed Brass	Antique Copper
Polished Brass	Satin Antique Brass
Antique Nickel	Unlacquered Pol. Brass

Other finishes available for additional charge, inquire.

PA-401-B1-01M Shown with A101 shade(s)

Medium base screw-in socket (1) accepts 150 W max incandescent or compact fluorescent/LED equivalents.

GU24 base bi-pin socket available. 277V 4 pin socket alternative, inquire.

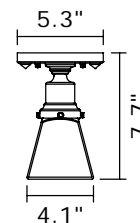
Check our website for alternative 2-1/4" shades.

Mounting plate center mounts to junction box.

UL listed dry location light fixture. Damp location available, inquire.

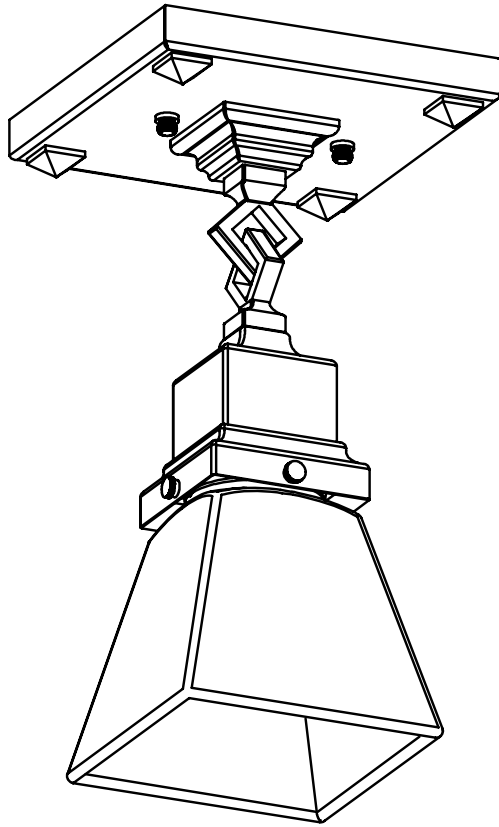
Durably constructed of solid brass.

Ceiling Fixture made in USA by Brass Light Gallery.



NASHOTA™ ONE LIGHT CHAIN LINK CEILING FIXTURE

WITH 2-1/4" SHADE HOLDER



**NEW
CLASSICS™**
Handmade in USA

FINISHES - applied by hand.

Polished Nickel	Architectural Bronze
Brushed Nickel	Verdigris Patina
Black	Distressed Brass
Brushed Brass	Antique Copper
Polished Brass	Satin Antique Brass
Antique Nickel	Unlacquered Pol. Brass

Other finishes available for additional charge, inquire.

PA-401-B1-02M Shown with A101 shade(s)

Medium base screw-in socket (1) accepts 150 W max incandescent or compact fluorescent/LED equivalents.

GU24 base bi-pin socket available. 277V 4 pin socket alternative, inquire.

Check our website for alternative 2-1/4" shades.

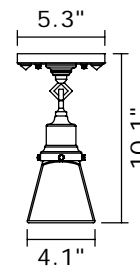
Mounting plate center mounts to junction box.

Mount to flat or to angled ceiling.

UL listed dry location light fixture. Damp location available, inquire.

Durably constructed of solid brass.

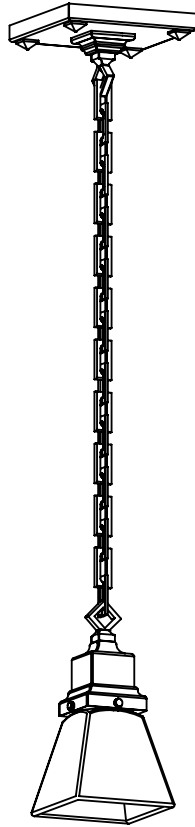
Ceiling Fixture made in USA by Brass Light Gallery.



NASHOTA™ ONE LIGHT CHAIN PENDANT

WITH 2-1/4" SHADE HOLDER

brasslightgallery.com 800-243-9595 sales@brasslight.com



**NEW
CLASSICS™**
Handmade in USA

FINISHES - applied by hand.

Polished Nickel	Architectural Bronze
Brushed Nickel	Verdigris Patina
Black	Distressed Brass
Brushed Brass	Antique Copper
Polished Brass	Satin Antique Brass
Antique Nickel	Unlacquered Pol. Brass

Other finishes available for additional charge, inquire.

PA-401-B1-15M Shown with A101 shade(s)

Medium base screw-in socket (1) accepts 150 W max incandescent or compact fluorescent/LED equivalents.

GU24 base bi-pin socket available. 277V 4 pin socket alternative, inquire.

Check our website for alternative 2-1/4" shades.

Mounting plate center mounts to junction box.

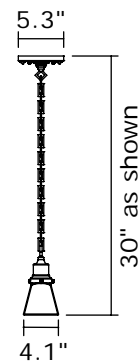
Specify overall length. Minimum overall length 12".

Mount to flat or to angled ceiling.

UL listed dry location light fixture. Damp location available, inquire.

Durably constructed of solid brass.

Pendant made in USA by Brass Light Gallery.



Nashota Family v1.0 page 13

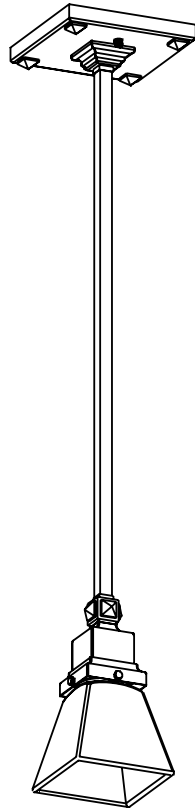
BRASS LIGHT GALLERY
• MILWAUKEE •

© 2013, Brass Light Gallery®

NASHOTA™ ONE LIGHT PENDANT

WITH 2-1/4" SHADE HOLDER

brasslightgallery.com 800-243-9595 sales@brasslight.com

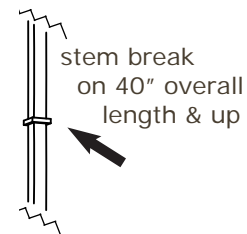


**NEW
CLASSICS™**
Handmade in USA

FINISHES - applied by hand.

Polished Nickel	Architectural Bronze
Brushed Nickel	Verdigris Patina
Black	Distressed Brass
Brushed Brass	Antique Copper
Polished Brass	Satin Antique Brass
Antique Nickel	Unlacquered Pol. Brass

Other finishes available for additional charge, inquire.



PA-402-B1-03M Shown with A101 shade(s)

Medium base screw-in socket (1) accepts 150 W max incandescent or compact fluorescent/LED equivalents.

GU24 base bi-pin socket available. 277V 4 pin socket alternative, inquire.

Check our website for alternative 2-1/4" shades.

Mounting plate center mounts to junction box.

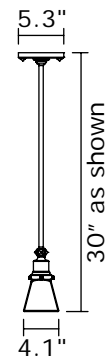
Specify overall length. Minimum overall length 10".

Angled ceiling version available, inquire.

UL listed dry location light fixture. Damp location available, inquire.

Durably constructed of solid brass.

Pendant made in USA by Brass Light Gallery.



Nashota Family v1.0 page 14

BRASS LIGHT GALLERY
• MILWAUKEE •

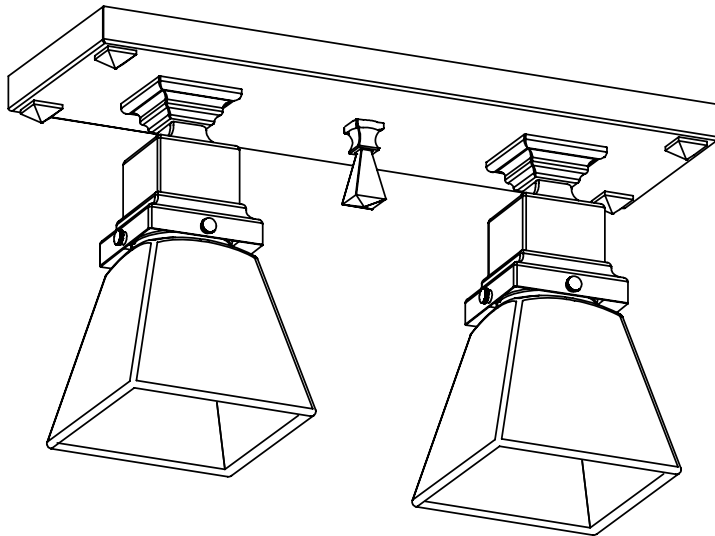
© 2013, Brass Light Gallery®

NASHOTA™ TWO LIGHT SEMI FLUSH CEILING FIXTURE

WITH 2-1/4" SHADE HOLDERS

brasslightgallery.com 800-243-9595 sales@brasslight.com

Nashota Family v1.0 page 15



**NEW
CLASSICS™**
Handmade in USA

FINISHES - applied by hand.

Polished Nickel	Architectural Bronze
Brushed Nickel	Verdigris Patina
Black	Distressed Brass
Brushed Brass	Antique Copper
Polished Brass	Satin Antique Brass
Antique Nickel	Unlacquered Pol. Brass

Other finishes available for additional charge, inquire.

PA-404-B1-01M Shown with A101 shade(s)

Medium base screw-in sockets (2) each accept 150 W max incandescent or compact fluorescent/LED equivalents.

GU24 base bi-pin socket available. 277V 4 pin socket alternative, inquire.

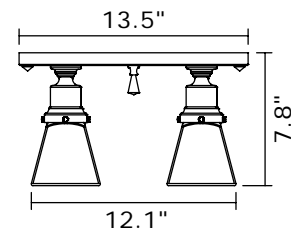
Check our website for alternative 2-1/4" shades.

Mounting plate center mounts to junction box.

UL listed dry location light fixture. Damp location available, inquire.

Durably constructed of solid brass.

Ceiling Fixture made in USA by Brass Light Gallery.

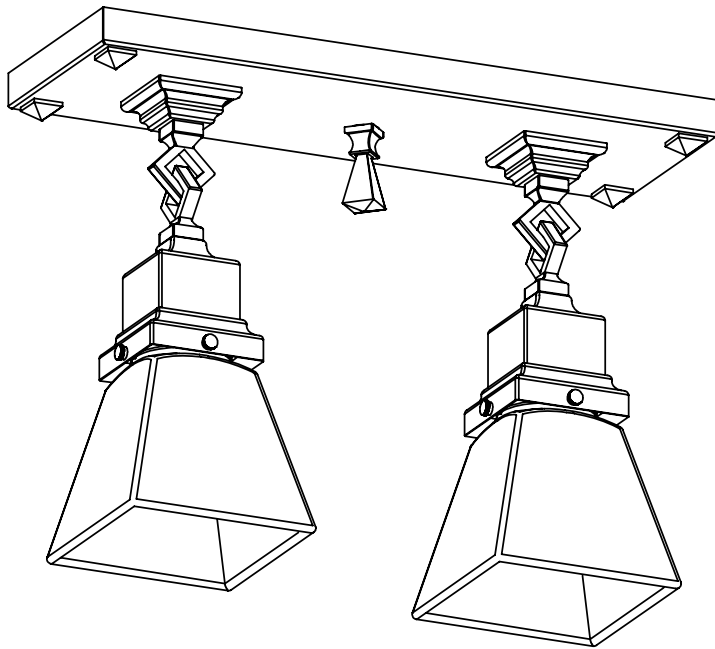


NASHOTA™ TWO LIGHT CHAIN LINK CEILING FIXTURE

WITH 2-1/4" SHADE HOLDERS

brasslightgallery.com 800-243-9595 sales@brasslight.com

Nashota Family v1.0 page 16



**NEW
CLASSICS™**
Handmade in USA

FINISHES - applied by hand.

Polished Nickel	Architectural Bronze
Brushed Nickel	Verdigris Patina
Black	Distressed Brass
Brushed Brass	Antique Copper
Polished Brass	Satin Antique Brass
Antique Nickel	Unlacquered Pol. Brass

Other finishes available for additional charge, inquire.

PA-404-B1-02M Shown with A101 shade(s)

Medium base screw-in sockets (2) each accept 150 W max incandescent or compact fluorescent/LED equivalents.

GU24 base bi-pin socket available. 277V 4 pin socket alternative, inquire.

Check our website for alternative 2-1/4" shades.

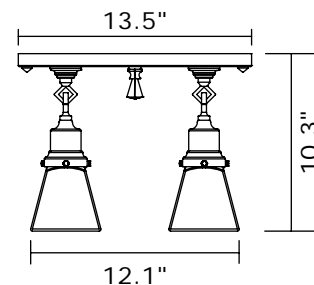
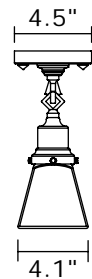
Mounting plate center mounts to junction box.

Mount to flat or to angled ceiling.

UL listed dry location light fixture. Damp location available, inquire.

Durably constructed of solid brass.

Ceiling Fixture made in USA by Brass Light Gallery.



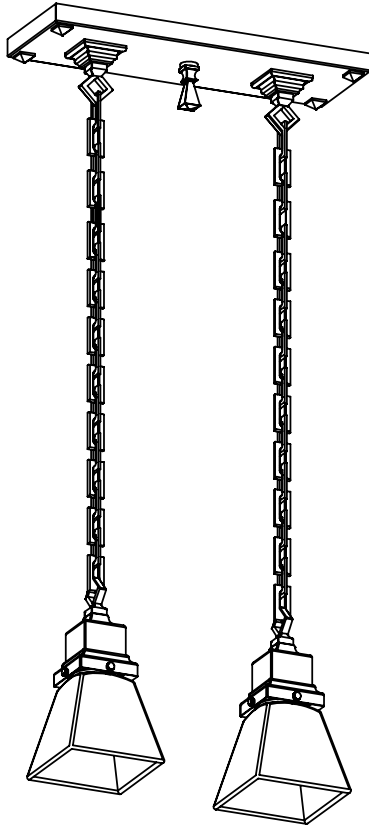
BRASS LIGHT GALLERY
• MILWAUKEE •

© 2013, Brass Light Gallery®

NASHOTA™ TWO LIGHT CHAIN PENDANT

WITH 2-1/4" SHADE HOLDERS

brasslightgallery.com 800-243-9595 sales@brasslight.com



NEW CLASSICS™
Handmade in USA

FINISHES - applied by hand.

Polished Nickel	Architectural Bronze
Brushed Nickel	Verdigris Patina
Black	Distressed Brass
Brushed Brass	Antique Copper
Polished Brass	Satin Antique Brass
Antique Nickel	Unlacquered Pol. Brass

Other finishes available for additional charge, inquire.

PA-404-B1-15M Shown with A101 shade(s)

Medium base screw-in sockets (2) each accept 150 W max incandescent or compact fluorescent/LED equivalents.

GU24 base bi-pin socket available. 277V 4 pin socket alternative, inquire.

Check our website for alternative 2-1/4" shades.

Mounting plate center mounts to junction box.

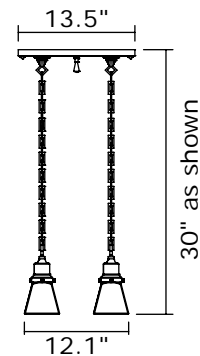
Specify overall length. Minimum overall length

12" Mount to flat or to angled ceiling.

UL listed dry location light fixture. Damp location available, inquire.

Durably constructed of solid brass.

Pendant made in USA by Brass Light Gallery.



Nashota Family v1.0 page 17

BRASS LIGHT GALLERY
• MILWAUKEE •

© 2013, Brass Light Gallery®