

# IONIAN™

## ALABASTER BOWL FAMILY

The Neoclassic Ionian Alabaster Bowl Family has subtle Byzantine influences and features slender vertical cuts and carved alabaster bottoms. Alabaster is inherently translucent, and because it's a natural material each piece is unique with subtle variations in veining and pattern.

**NEW  
CLASSICS™**  
Handmade in USA



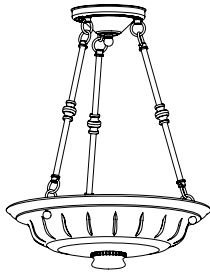
AL-1824-AA

# IONIAN™

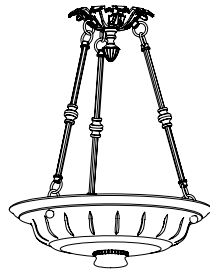
## ALABASTER BOWL FAMILY

See our new classics [online](#) for more info.

### MOUNTS



Multi-Stem

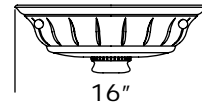


Ornate Multi-Stem

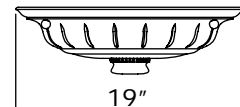


Three chain mount versions also available.

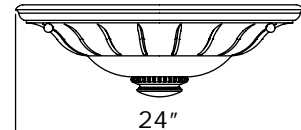
### SIZES



16"



19"



24"



Matching AL-2912-A Alabaster Sconce also [online](#).

**NEW**  
**CLASSICS™**  
Handmade in USA

UL listed. Durable constructed from solid brass and real alabaster stone. Made in USA by Brass Light Gallery.

See our new classics [online](#) for more info.

**BRASS LIGHT GALLERY**  
• MILWAUKEE •

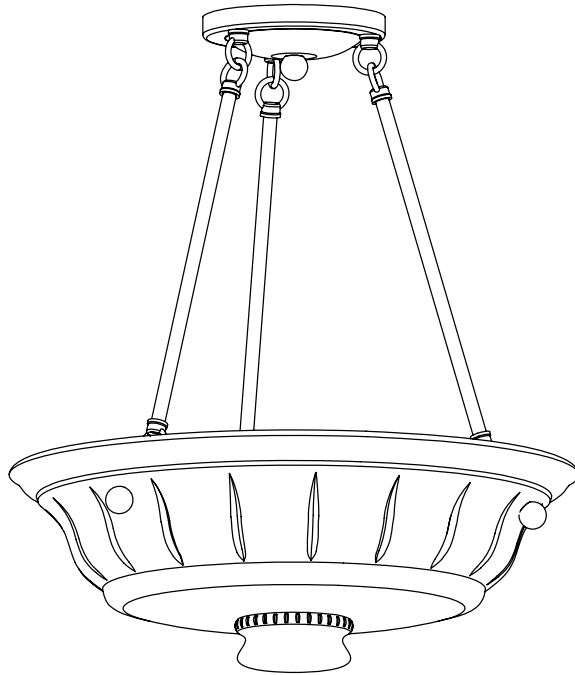
© 2012, Brass Light Gallery®

# IONIAN™ ALABASTER PENDANT

16" DIAM, MULTI-STEM

brasslightgallery.com 800-243-9595 sales@brasslight.com

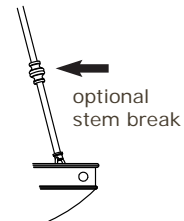
Ionian Alabaster v1.2 page 3



**NEW  
CLASSICS™**  
Handmade in USA

## FINISHES

Antique Copper	Distressed Brass
Antique Nickel	Polished Brass
Architectural Bronze	Polished Nickel
Architectural Iron	Satin Ant. Brass
Black	Unlacq. Pol. Brass
Brushed Brass	Verdigris Patina
Brushed Nickel	Vintage Nickel



## AL-1816-AA

Candelabra base screw-in sockets (3) each accept 60 W max incandescent, compact fluorescent, or LED.

GU24 base bi-pin socket available. 277V 4 pin socket alternative, inquire.

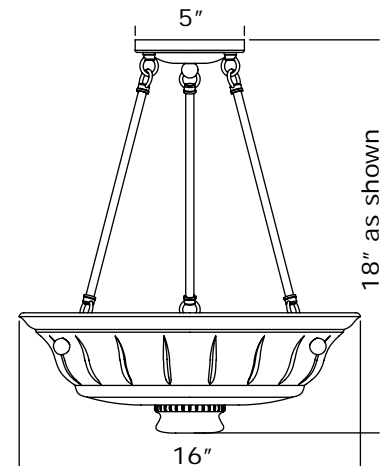
Center mount to junction box.

Specify overall length. Minimum overall length 10".

UL listed dry location.

Durably constructed of solid brass and real alabaster stone.

Made in USA by Brass Light Gallery.

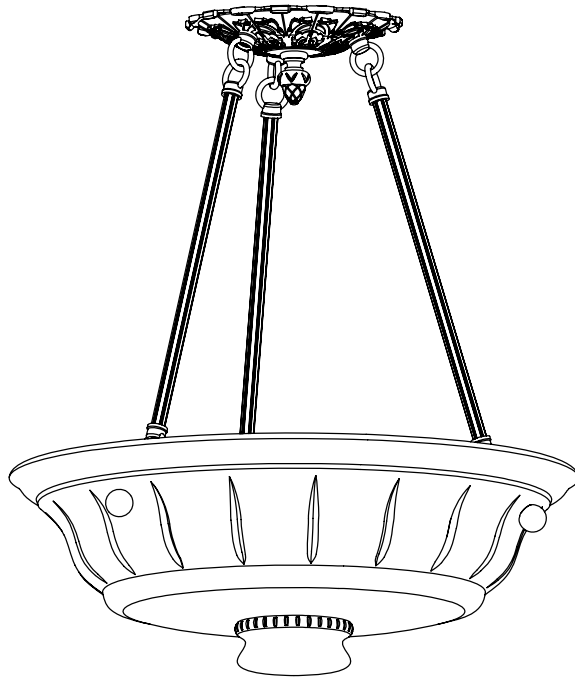


# IONIAN™ ALABASTER PENDANT

16" DIAM, ORNATE MULTI-STEM

brasslightgallery.com 800-243-9595 sales@brasslight.com

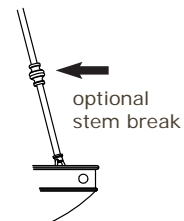
Ionian Alabaster v1.2 page 4



**NEW  
CLASSICS™**  
Handmade in USA

## FINISHES

Antique Copper	Distressed Brass
Antique Nickel	Polished Brass
Architectural Bronze	Polished Nickel
Architectural Iron	Satin Ant. Brass
Black	Unlacq. Pol. Brass
Brushed Brass	Verdigris Patina
Brushed Nickel	Vintage Nickel



## AL-1816-AF

Candelabra base screw-in sockets (3) each accept 60 W max incandescent, compact fluorescent, or LED.

GU24 base bi-pin socket available. 277V 4 pin socket alternative, inquire.

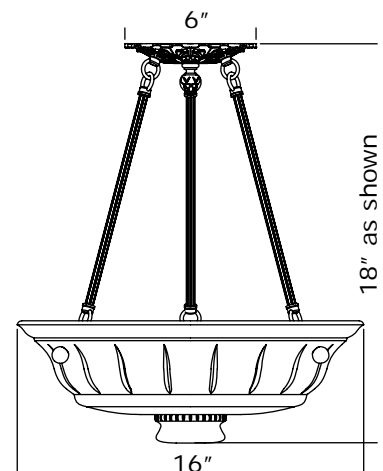
Center mount to junction box.

Specify overall length. Minimum overall length 10".

UL listed dry location.

Durably constructed of solid brass and real alabaster stone.

Made in USA by Brass Light Gallery.

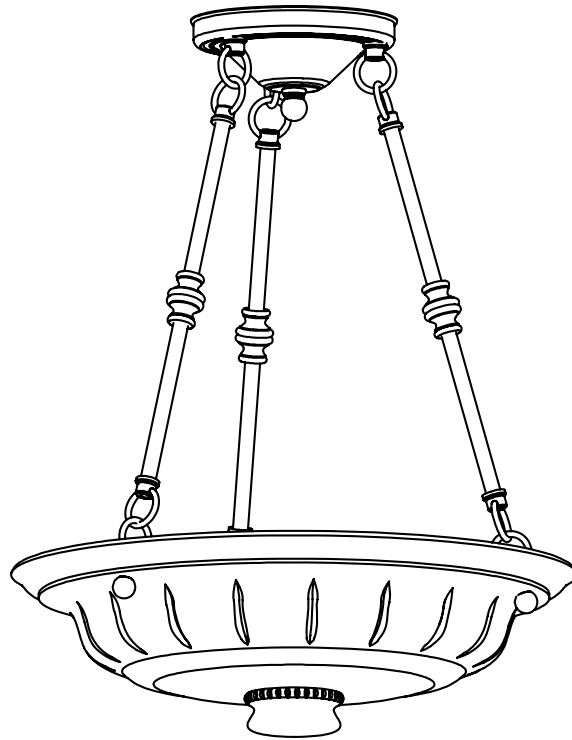


# IONIAN™ ALABASTER PENDANT

19" DIAM, MULTI-STEM

brasslightgallery.com 800-243-9595 sales@brasslight.com

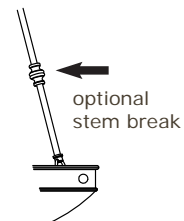
Ionian Alabaster v1.2 page 5



**NEW  
CLASSICS™**  
Handmade in USA

## FINISHES

Antique Copper	Distressed Brass
Antique Nickel	Polished Brass
Architectural Bronze	Polished Nickel
Architectural Iron	Satin Ant. Brass
Black	Unlacq. Pol. Brass
Brushed Brass	Verdigris Patina
Brushed Nickel	Vintage Nickel



## AL-1819-AA

Medium base screw-in sockets (3) each accept 75 W max incandescent, compact fluorescent, or LED.

GU24 base bi-pin socket available. 277V 4 pin socket alternative, inquire.

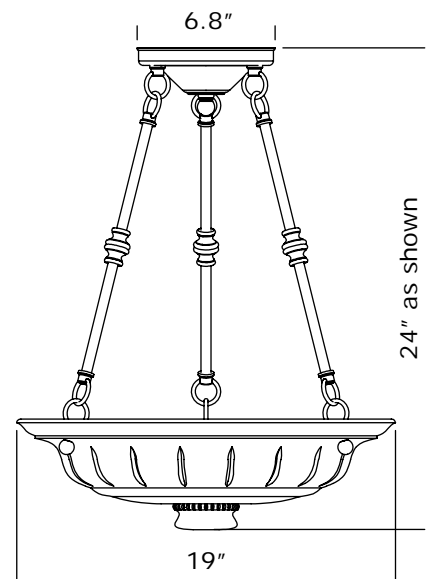
Center mount to junction box.

Specify overall length. Minimum overall length 12".

UL listed dry location.

Durably constructed of solid brass and real alabaster stone.

Made in USA by Brass Light Gallery.



**BRASS LIGHT GALLERY**  
• MILWAUKEE •

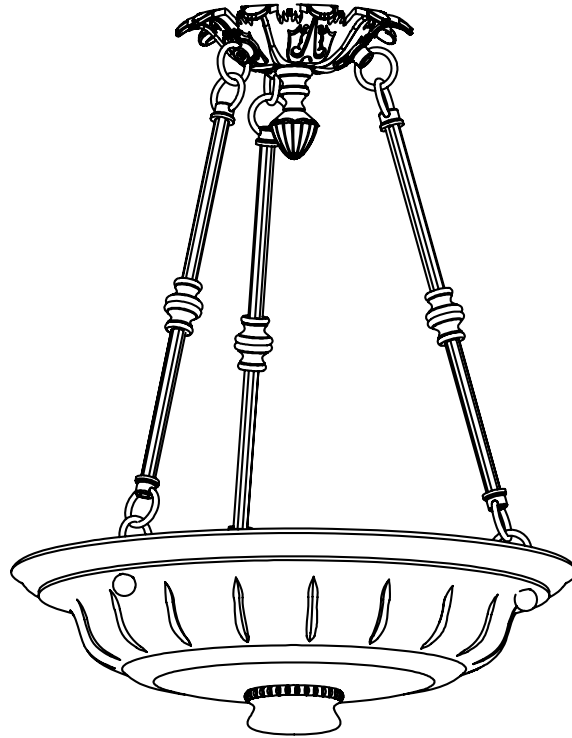
© 2012, Brass Light Gallery®

# IONIAN™ ALABASTER PENDANT

19" DIAM, ORNATE MULTI-STEM

brasslightgallery.com 800-243-9595 sales@brasslight.com

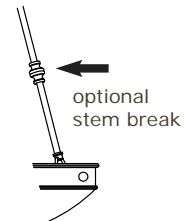
Ionian Alabaster v1.2 page 6



**NEW  
CLASSICS™**  
Handmade in USA

## FINISHES

Antique Copper	Distressed Brass
Antique Nickel	Polished Brass
Architectural Bronze	Polished Nickel
Architectural Iron	Satin Ant. Brass
Black	Unlacq. Pol. Brass
Brushed Brass	Verdigris Patina
Brushed Nickel	Vintage Nickel



## AL-1819-AF

Medium base screw-in sockets (3) each accept 75 W max incandescent, compact fluorescent, or LED.

GU24 base bi-pin socket available. 277V 4 pin socket alternative, inquire.

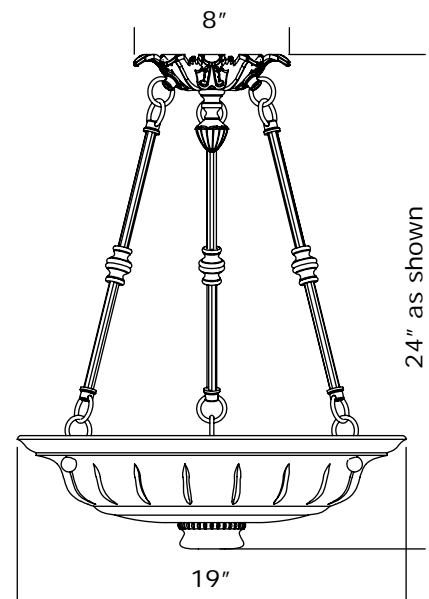
Center mount to junction box.

Specify overall length. Minimum overall length 12".

UL listed dry location.

Durably constructed of solid brass and real alabaster stone.

Made in USA by Brass Light Gallery.



**BRASS LIGHT GALLERY**  
• MILWAUKEE •

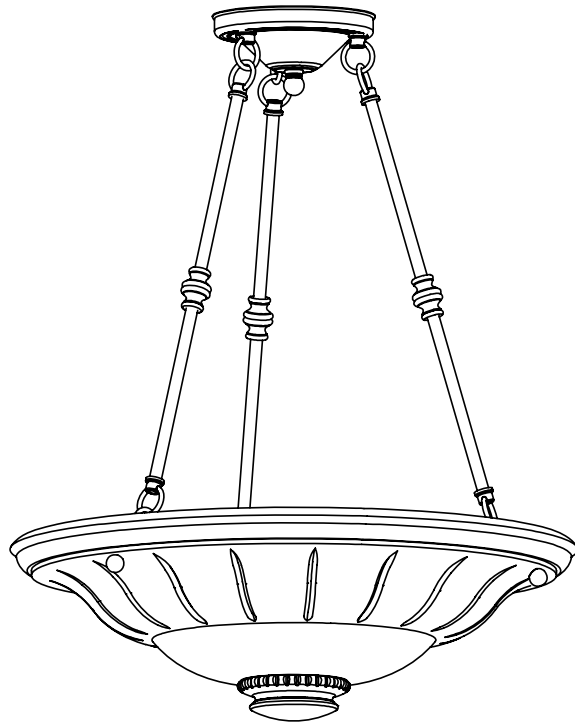
© 2012, Brass Light Gallery®

# IONIAN™ ALABASTER PENDANT

24" DIAM, MULTI-STEM

brasslightgallery.com 800-243-9595 sales@brasslight.com

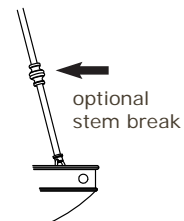
Ionian Alabaster v1.2 page 7



**NEW  
CLASSICS™**  
Handmade in USA

## FINISHES

Antique Copper	Distressed Brass
Antique Nickel	Polished Brass
Architectural Bronze	Polished Nickel
Architectural Iron	Satin Ant. Brass
Black	Unlacq. Pol. Brass
Brushed Brass	Verdigris Patina
Brushed Nickel	Vintage Nickel



## AL-1824-AA

Medium base screw-in sockets (3) each accept 100 W max incandescent, compact fluorescent, or LED.

GU24 base bi-pin socket available. 277V 4 pin socket alternative, inquire.

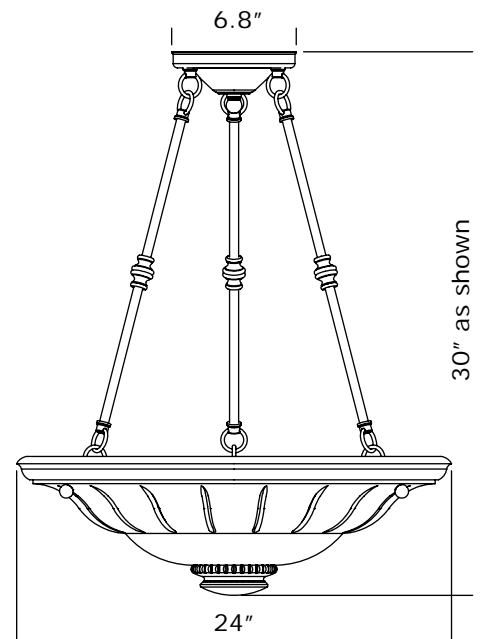
Center mount to junction box.

Specify overall length. Minimum overall length 12".

UL listed dry location.

Durably constructed of solid brass and real alabaster stone.

Made in USA by Brass Light Gallery.



**BRASS LIGHT GALLERY**  
• MILWAUKEE •

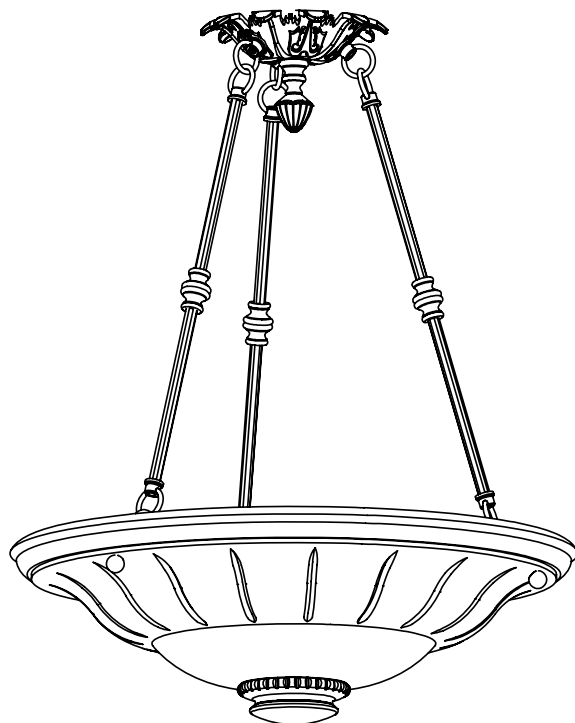
© 2012, Brass Light Gallery®

# IONIAN™ ALABASTER PENDANT

24" DIAM, ORNATE MULTI-STEM

brasslightgallery.com 800-243-9595 sales@brasslight.com

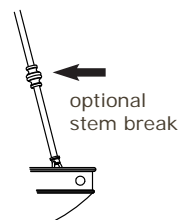
Ionian Alabaster v1.2 page 8



**NEW  
CLASSICS™**  
Handmade in USA

## FINISHES

Antique Copper	Distressed Brass
Antique Nickel	Polished Brass
Architectural Bronze	Polished Nickel
Architectural Iron	Satin Ant. Brass
Black	Unlacq. Pol. Brass
Brushed Brass	Verdigris Patina
Brushed Nickel	Vintage Nickel



## AL-1824-AF

Medium base screw-in sockets (3) each accept 100 W max incandescent, compact fluorescent, or LED.

GU24 base bi-pin socket available. 277V 4 pin socket alternative, inquire.

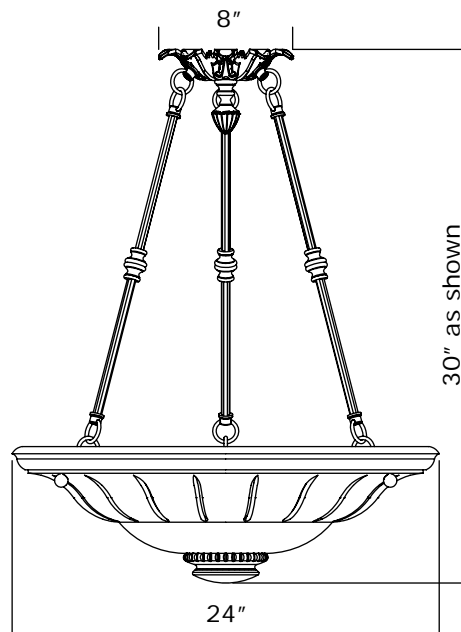
Center mount to junction box.

Specify overall length. Minimum overall length 12".

UL listed dry location.

Durably constructed of solid brass and real alabaster stone.

Made in USA by Brass Light Gallery.



**BRASS LIGHT GALLERY**  
• MILWAUKEE •

© 2012, Brass Light Gallery®



# IONIAN™

## ALABASTER BOWL FAMILY

### Version History

- |      |            |   |
|------|------------|---|
| v1.1 | Dec-2011   | First published as a summary only. 2 pages.   |
| v1.2 | 01-30-2012 | Added this v history. Revise page 2 with bowl profiles, etc and removed old cut of print catalog. Added individual products. 9 pgs. |