

HAMPTON

ALABASTER BOWL FAMILY

Hampton Alabaster Family light fixtures lend understated elegance to interior spaces. Discover the natural translucence and unique beauty of authentic alabaster stone.

**NEW
CLASSICS™**
Handmade in USA



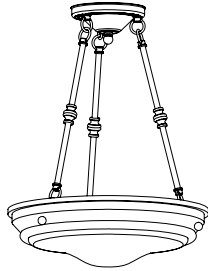
AL-1330-AA

HAMPTON

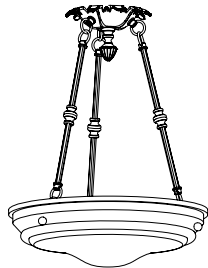
ALABASTER BOWL FAMILY

See our new classics [online](#) for more info.

MOUNTS



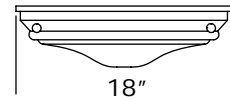
Multi-Stem



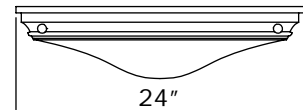
Ornate Multi-Stem

Chain mount
versions also
available.

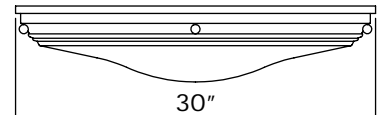
SIZES



18"



24"



30"

Matching alabaster sconces also [online](#).

**NEW
CLASSICS™**
Handmade in USA

UL listed. Durable constructed from solid brass and real alabaster stone. Made in USA by Brass Light Gallery.

See our new classics [online](#) for more info.

BRASS LIGHT GALLERY
• MILWAUKEE •

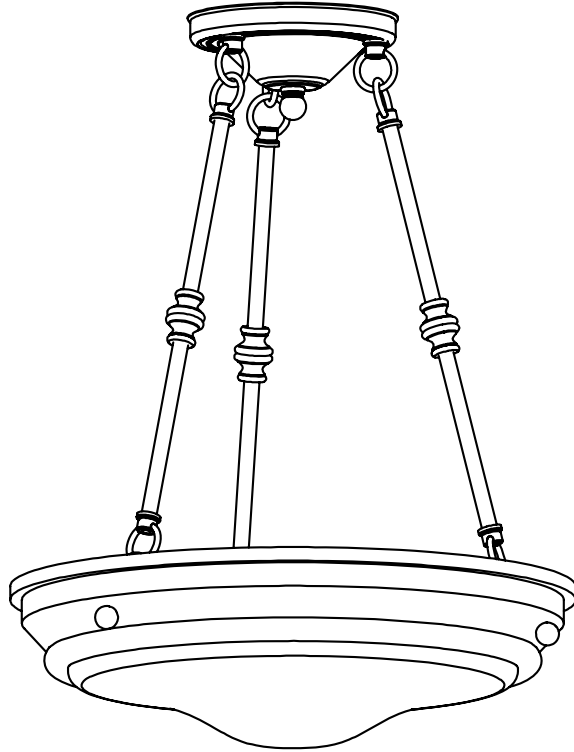
© 2011, Brass Light Gallery®

HAMPTON ALABASTER PENDANT

18" DIAM, MULTI-STEM

brasslightgallery.com 800-243-9595 sales@brasslight.com

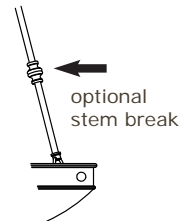
Hampton Alabaster v1.2 page 3



NEW CLASSICS™
Handmade in USA

FINISHES

Antique Copper	Distressed Brass
Antique Nickel	Polished Brass
Architectural Bronze	Polished Nickel
Architectural Iron	Satin Ant. Brass
Black	Unlacq. Pol. Brass
Brushed Brass	Verdigris Patina
Brushed Nickel	Vintage Nickel



AL-1318-AA

Candelabra base screw-in sockets (3) each accept 60 W max incandescent, compact fluorescent, or LED.

GU24 base bi-pin socket available. 277V 4 pin socket alternative, inquire.

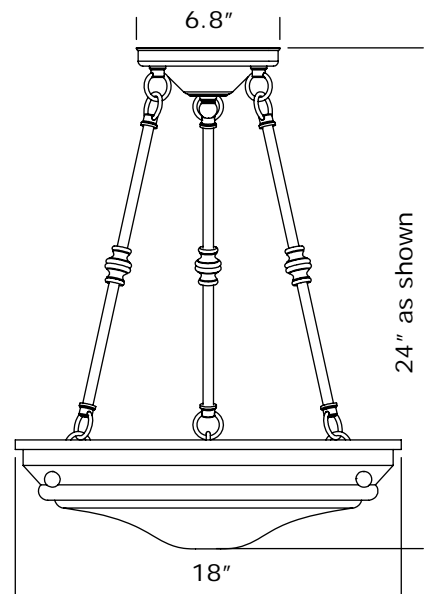
Center mount to junction box.

Specify overall length. Minimum overall length 12".

UL listed dry location.

Durably constructed of solid brass and real alabaster stone.

Made in USA by Brass Light Gallery.

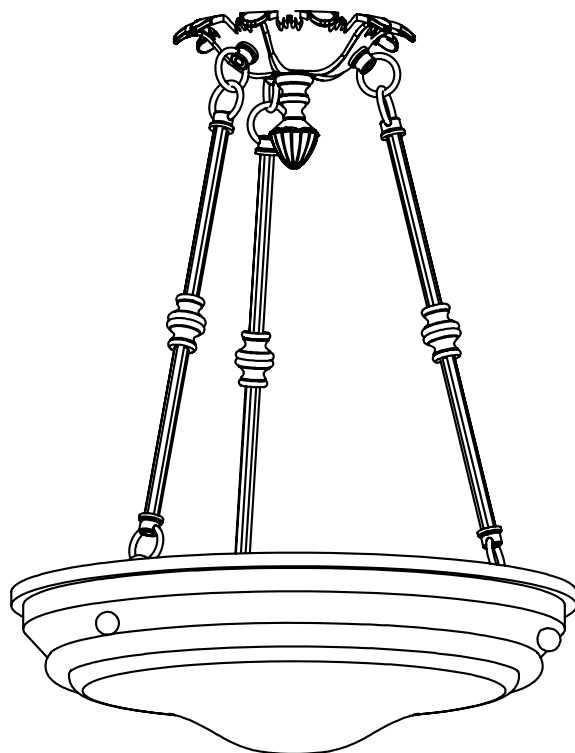


HAMPTON ALABASTER PENDANT

18" DIAM, ORNATE MULTI-STEM

brasslightgallery.com 800-243-9595 sales@brasslight.com

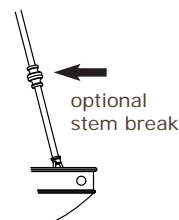
Hampton Alabaster v1.2 page 4



NEW CLASSICS™
Handmade in USA

FINISHES

Antique Copper	Distressed Brass
Antique Nickel	Polished Brass
Architectural Bronze	Polished Nickel
Architectural Iron	Satin Ant. Brass
Black	Unlacq. Pol. Brass
Brushed Brass	Verdigris Patina
Brushed Nickel	Vintage Nickel



AL-1318-AF

Candelabra base screw-in sockets (3) each accept 60 W max incandescent, compact fluorescent, or LED.

GU24 base bi-pin socket available. 277V 4 pin socket alternative, inquire.

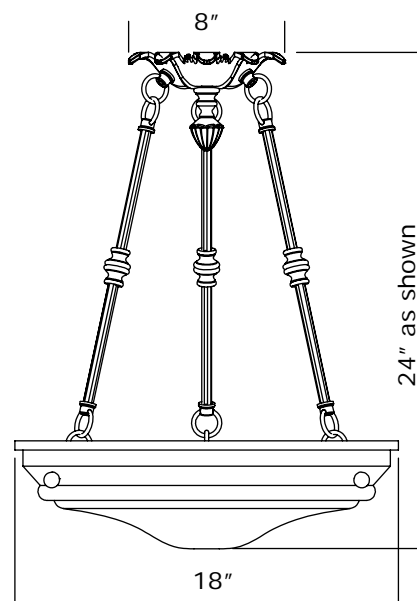
Center mount to junction box.

Specify overall length. Minimum overall length 12".

UL listed dry location.

Durably constructed of solid brass and real alabaster stone.

Made in USA by Brass Light Gallery.

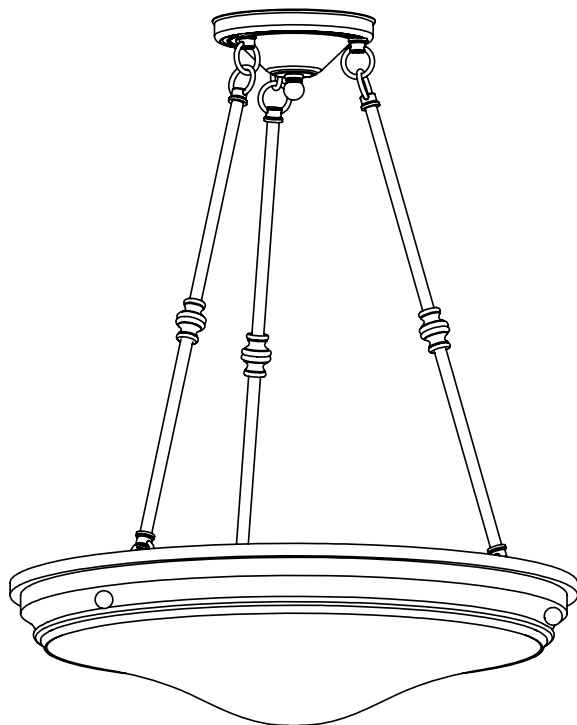


HAMPTON ALABASTER PENDANT

24" DIAM, MULTI-STEM

brasslightgallery.com 800-243-9595 sales@brasslight.com

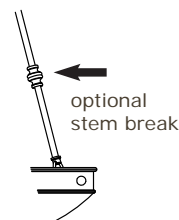
Hampton Alabaster v1.2 page 5



NEW CLASSICS™
Handmade in USA

FINISHES

Antique Copper	Distressed Brass
Antique Nickel	Polished Brass
Architectural Bronze	Polished Nickel
Architectural Iron	Satin Ant. Brass
Black	Unlacq. Pol. Brass
Brushed Brass	Verdigris Patina
Brushed Nickel	Vintage Nickel



AL-1324-AA

Medium base screw-in sockets (3) each accept 75 W max incandescent, compact fluorescent, or LED.

GU24 base bi-pin socket available. 277V 4 pin socket alternative, inquire.

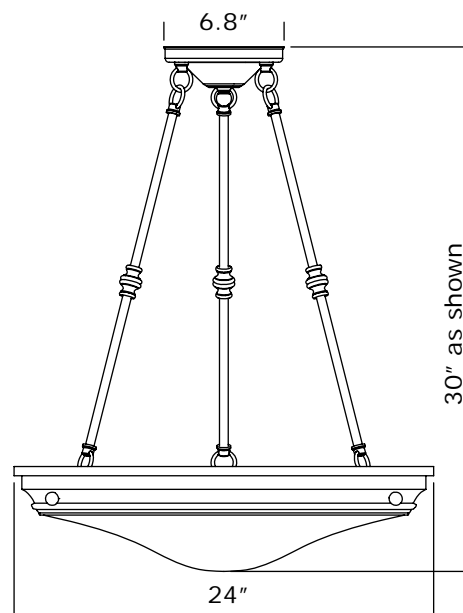
Center mount to junction box.

Specify overall length. Minimum overall length 12".

UL listed dry location.

Durably constructed of solid brass and real alabaster stone.

Made in USA by Brass Light Gallery.

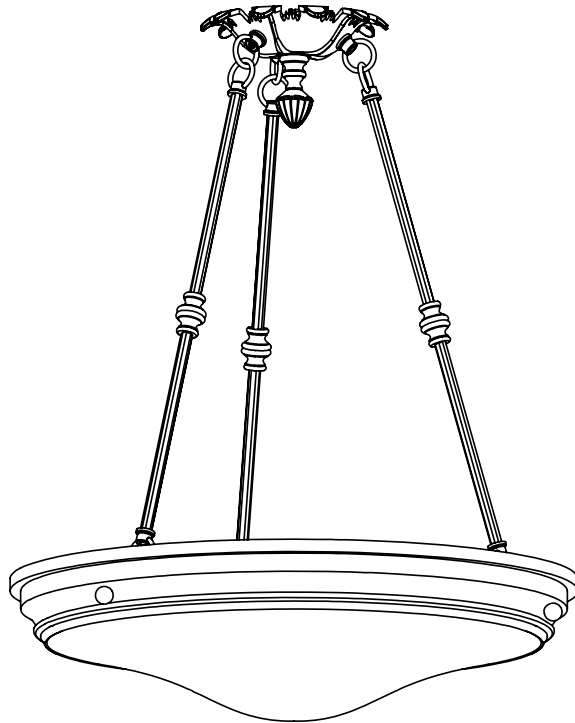


HAMPTON ALABASTER PENDANT

24" DIAM, ORNATE MULTI-STEM

brasslightgallery.com 800-243-9595 sales@brasslight.com

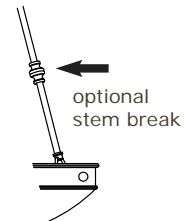
Hampton Alabaster v1.2 page 6



NEW CLASSICS™
Handmade in USA

FINISHES

Antique Copper	Distressed Brass
Antique Nickel	Polished Brass
Architectural Bronze	Polished Nickel
Architectural Iron	Satin Ant. Brass
Black	Unlacq. Pol. Brass
Brushed Brass	Verdigris Patina
Brushed Nickel	Vintage Nickel



AL-1324-AF

Medium base screw-in sockets (3) each accept 75 W max incandescent, compact fluorescent, or LED.

GU24 base bi-pin socket available. 277V 4 pin socket alternative, inquire.

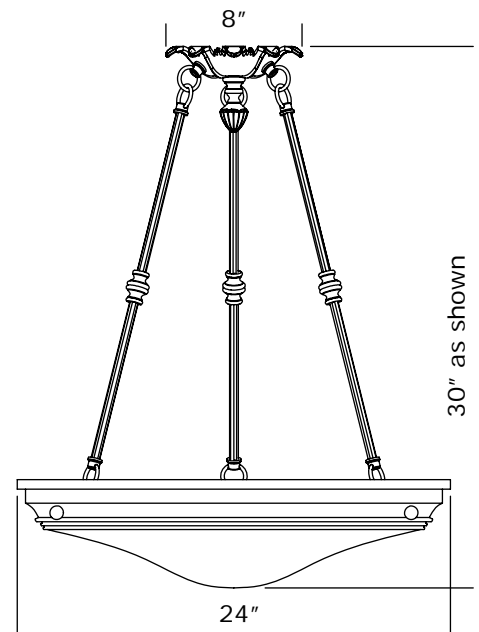
Center mount to junction box.

Specify overall length. Minimum overall length 12".

UL listed dry location.

Durably constructed of solid brass and real alabaster stone.

Made in USA by Brass Light Gallery.



BRASS LIGHT GALLERY
• MILWAUKEE •

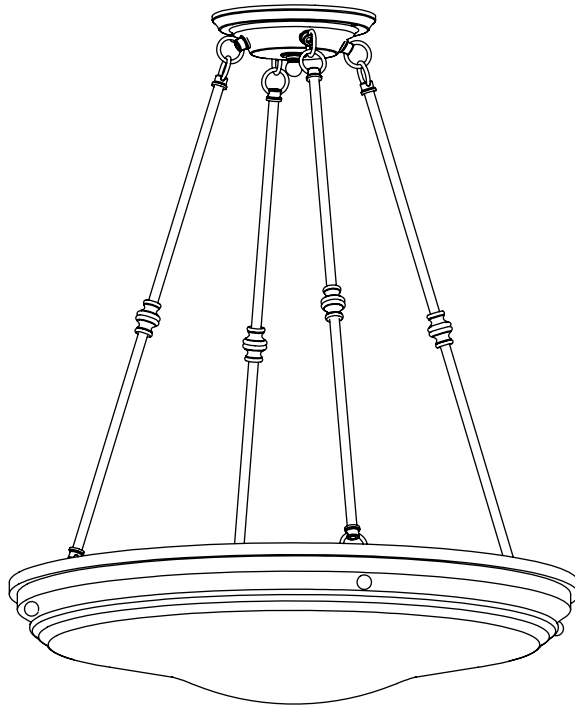
© 2011, Brass Light Gallery®

HAMPTON ALABASTER PENDANT

30" DIAM, MULTI-STEM

brasslightgallery.com 800-243-9595 sales@brasslight.com

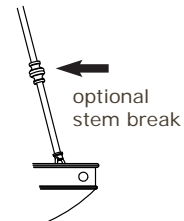
Hampton Alabaster v1.2 page 7



NEW CLASSICS™
Handmade in USA

FINISHES

Antique Copper	Distressed Brass
Antique Nickel	Polished Brass
Architectural Bronze	Polished Nickel
Architectural Iron	Satin Ant. Brass
Black	Unlacq. Pol. Brass
Brushed Brass	Verdigris Patina
Brushed Nickel	Vintage Nickel



AL-1330-AA

Medium base screw-in sockets (4) each accept 100 W max incandescent, compact fluorescent, or LED.

GU24 base bi-pin socket available. 277V 4 pin socket alternative, inquire.

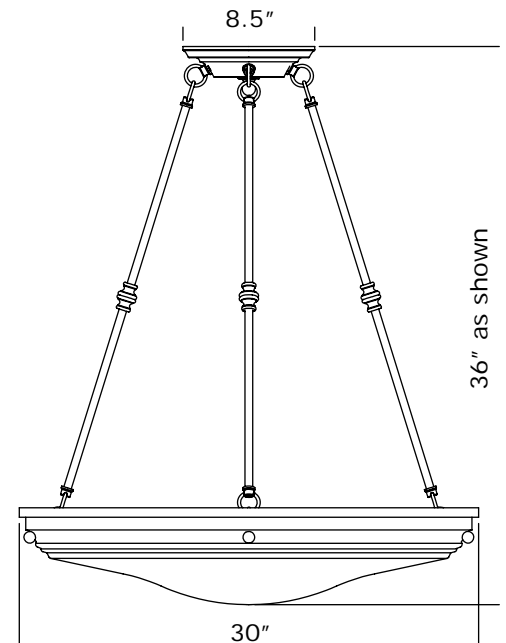
Center mount to junction box.

Specify overall length. Minimum overall length 12".

UL listed dry location.

Durably constructed of solid brass and real alabaster stone.

Made in USA by Brass Light Gallery.



BRASS LIGHT GALLERY
• MILWAUKEE •

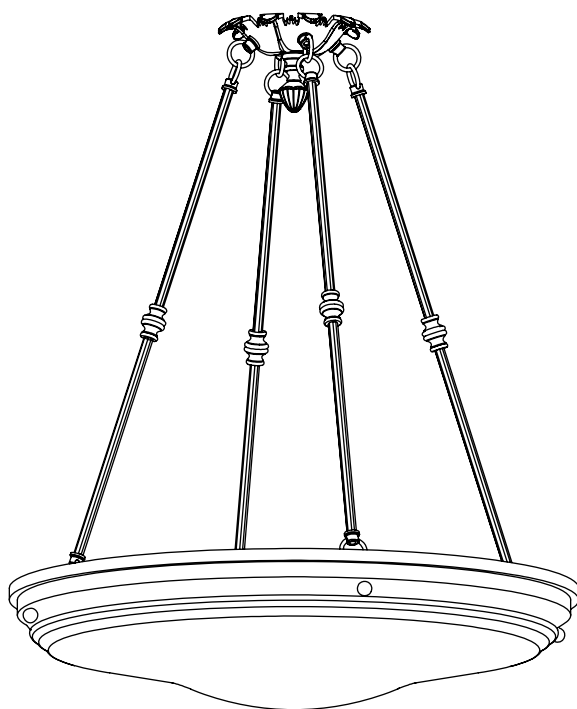
© 2011, Brass Light Gallery®

HAMPTON ALABASTER PENDANT

30" DIAM, ORNATE MULTI-STEM

brasslightgallery.com 800-243-9595 sales@brasslight.com

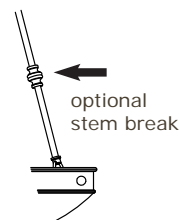
Hampton Alabaster v1.2 page 8



NEW CLASSICS™
Handmade in USA

FINISHES

- | | |
|----------------------|--------------------|
| Antique Copper | Distressed Brass |
| Antique Nickel | Polished Brass |
| Architectural Bronze | Polished Nickel |
| Architectural Iron | Satin Ant. Brass |
| Black | Unlacq. Pol. Brass |
| Brushed Brass | Verdigris Patina |
| Brushed Nickel | Vintage Nickel |



AL-1330-AF

Medium base screw-in sockets (4) each accept 100 W max incandescent, compact fluorescent, or LED.

GU24 base bi-pin socket available. 277V 4 pin socket alternative, inquire.

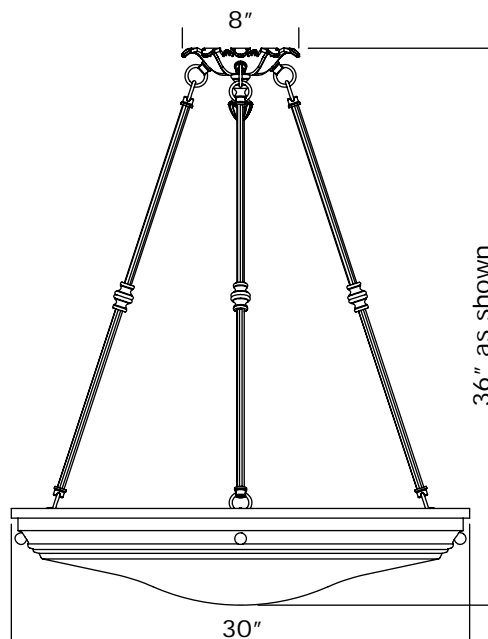
Center mount to junction box.

Specify overall length. Minimum overall length 12".

UL listed dry location.

Durably constructed of solid brass and real alabaster stone.

Made in USA by Brass Light Gallery.



BRASS LIGHT GALLERY
• MILWAUKEE •

© 2011, Brass Light Gallery®

HAMPTON

ALABASTER BOWL FAMILY

Version History

- | | | |
|------|------------|--|
| v1.1 | 12-16-2011 | First published. 6 pages. |
| v1.2 | 12-20-2011 | Added this v history. Added Cover with photo as pg 1, added Mount/Size as pg 2, minor styling changes. Each product page number increased by 2. 9 pgs. |