

EMPIRE

ALABASTER BOWL FAMILY

The simple yet classic shape of our Empire Alabaster Family's alabaster bowl, makes it a popular choice for a broad range of architectural styles. Discover the natural translucence and unique beauty of authentic alabaster stone.

**NEW
CLASSICS™**
Handmade in USA



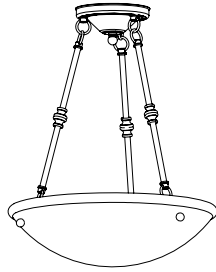
AL-1730-AH

EMPIRE

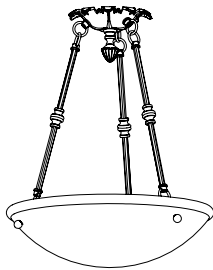
ALABASTER BOWL FAMILY

See our new classics [online](#) for more info.

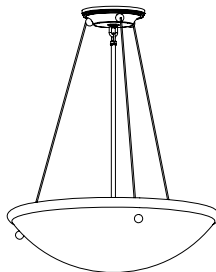
MOUNTS



Multi-Stem

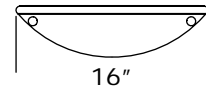


Ornate Multi-Stem

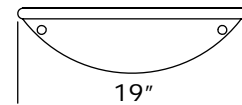


Cable

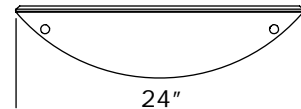
SIZES



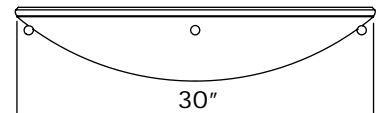
16"



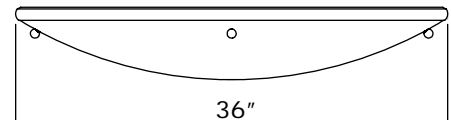
19"



24"



30"



36"

Matching alabaster sconces also [online](#).

NEW
CLASSICS™
Handmade in USA

UL listed. Durable constructed from solid brass and real alabaster stone. Made in USA by Brass Light Gallery.

See our new classics [online](#) for more info.

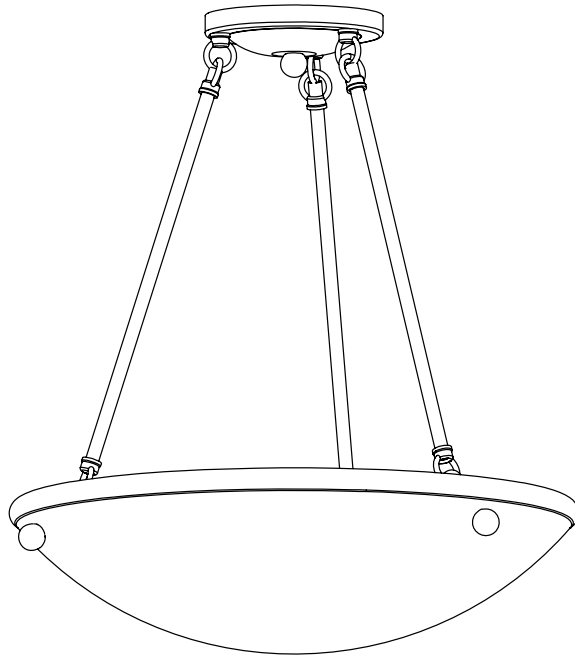
BRASS LIGHT GALLERY
• MILWAUKEE •

© 2011, Brass Light Gallery®

EMPIRE ALABASTER PENDANT

16" DIAM, MULTI-STEM

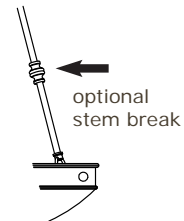
brasslightgallery.com 800-243-9595 sales@brasslight.com



**NEW
CLASSICS™**
Handmade in USA

FINISHES

Antique Copper	Distressed Brass
Antique Nickel	Polished Brass
Architectural Bronze	Polished Nickel
Architectural Iron	Satin Ant. Brass
Black	Unlacq. Pol. Brass
Brushed Brass	Verdigris Patina
Brushed Nickel	Vintage Nickel



AL-1716-AA

Candelabra base screw-in sockets (3) each accept 60 W max incandescent, compact fluorescent, or LED.

GU24 base bi-pin socket available. 277V 4 pin socket alternative, inquire.

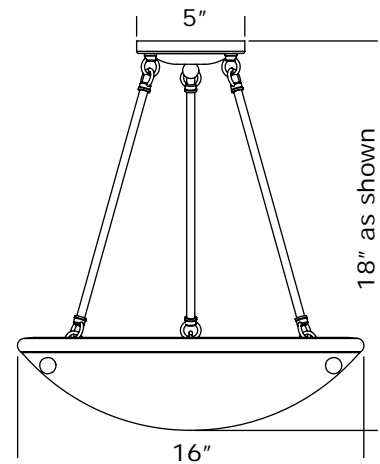
Center mount to junction box.

Specify overall length. Minimum overall length 10".

UL listed dry location.

Durably constructed of solid brass and real alabaster stone.

Made in USA by Brass Light Gallery.



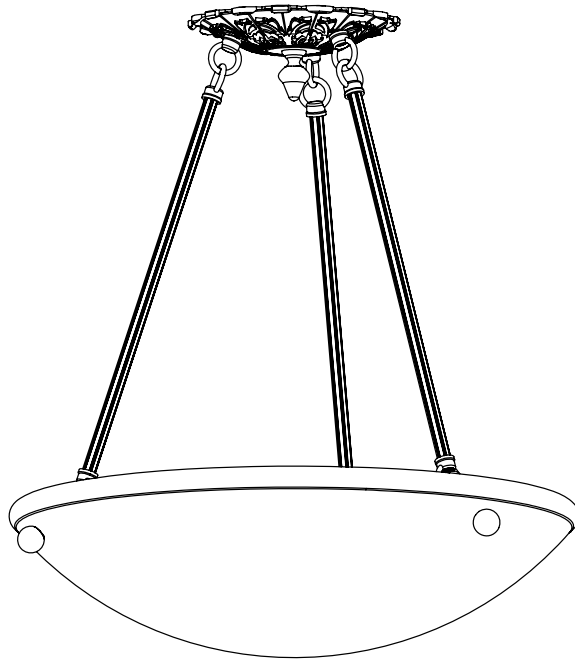
Empire Alabaster v1.2 page 3

EMPIRE ALABASTER PENDANT

16" DIAM, ORNATE MULTI-STEM

brasslightgallery.com 800-243-9595 sales@brasslight.com

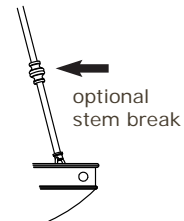
Empire Alabaster v1.2 page 4



**NEW
CLASSICS™**
Handmade in USA

FINISHES

Antique Copper	Distressed Brass
Antique Nickel	Polished Brass
Architectural Bronze	Polished Nickel
Architectural Iron	Satin Ant. Brass
Black	Unlacq. Pol. Brass
Brushed Brass	Verdigris Patina
Brushed Nickel	Vintage Nickel



AL-1716-AF

Candelabra base screw-in sockets (3) each accept 60 W max incandescent, compact fluorescent, or LED.

GU24 base bi-pin socket available. 277V 4 pin socket alternative, inquire.

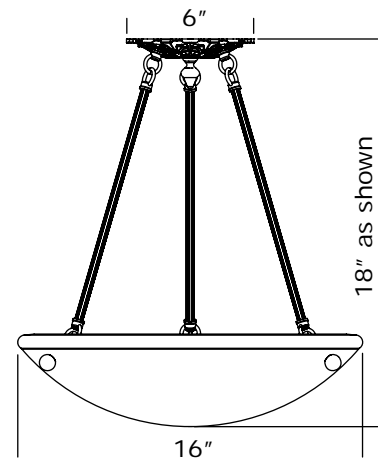
Center mount to junction box.

Specify overall length. Minimum overall length 10".

UL listed dry location.

Durably constructed of solid brass and real alabaster stone.

Made in USA by Brass Light Gallery.

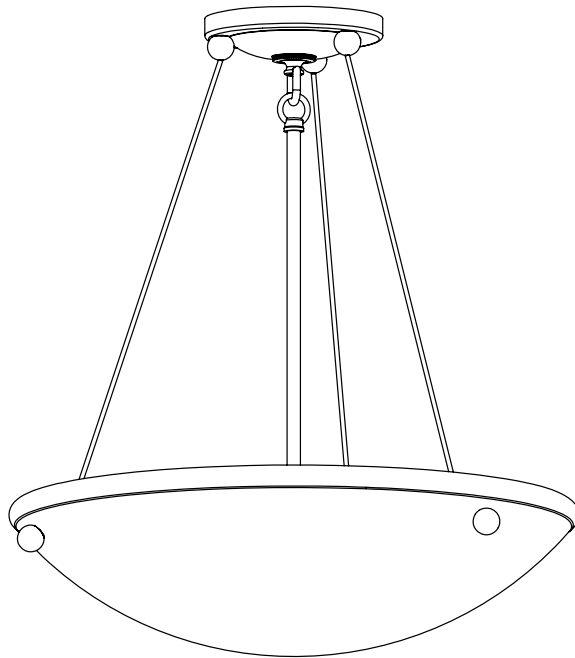


EMPIRE ALABASTER PENDANT

16" DIAM, CABLE-HUNG

brasslightgallery.com 800-243-9595 sales@brasslight.com

Empire Alabaster v1.2 page 5



**NEW
CLASSICS™**
Handmade in USA

FINISHES

Antique Copper	Distressed Brass
Antique Nickel	Polished Brass
Architectural Bronze	Polished Nickel
Architectural Iron	Satin Ant. Brass
Black	Unlacq. Pol. Brass
Brushed Brass	Verdigris Patina
Brushed Nickel	Vintage Nickel

AL-1716-AH

Candelabra base screw-in sockets (3) each accept 60 W max incandescent, compact fluorescent, or LED.

GU24 base bi-pin socket available. 277V 4 pin socket alternative, inquire.

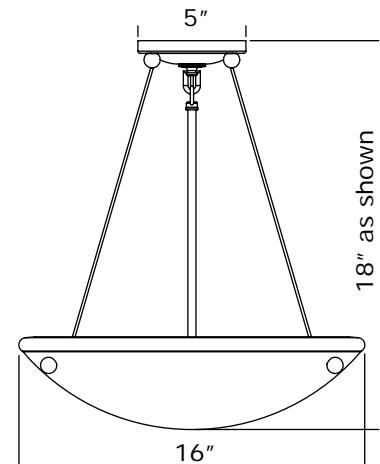
Center mount to junction box.

Specify overall length. Minimum overall length 10".

UL listed dry location.

Durably constructed of solid brass and real alabaster stone.

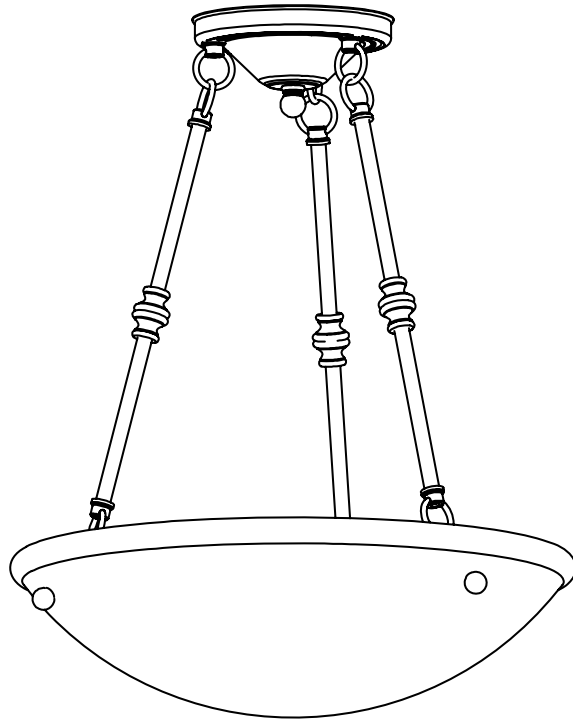
Made in USA by Brass Light Gallery.



EMPIRE ALABASTER PENDANT

19" DIAM, MULTI-STEM

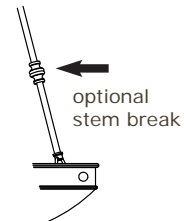
brasslightgallery.com 800-243-9595 sales@brasslight.com



NEW CLASSICS™
Handmade in USA

FINISHES

Antique Copper	Distressed Brass
Antique Nickel	Polished Brass
Architectural Bronze	Polished Nickel
Architectural Iron	Satin Ant. Brass
Black	Unlacq. Pol. Brass
Brushed Brass	Verdigris Patina
Brushed Nickel	Vintage Nickel



AL-1719-AA

Medium base screw-in sockets (3) each accept 75 W max incandescent, compact fluorescent, or LED.

GU24 base bi-pin socket available. 277V 4 pin socket alternative, inquire.

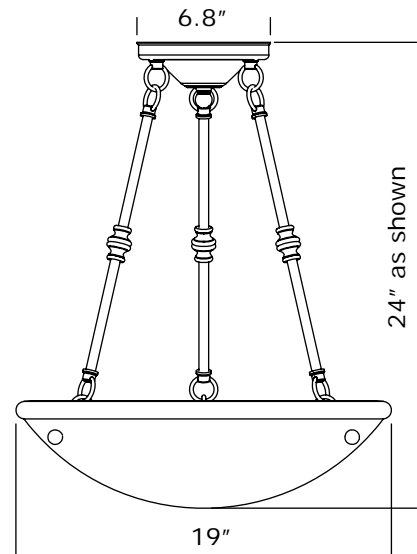
Center mount to junction box.

Specify overall length. Minimum overall length 12".

UL listed dry location.

Durably constructed of solid brass and real alabaster stone.

Made in USA by Brass Light Gallery.



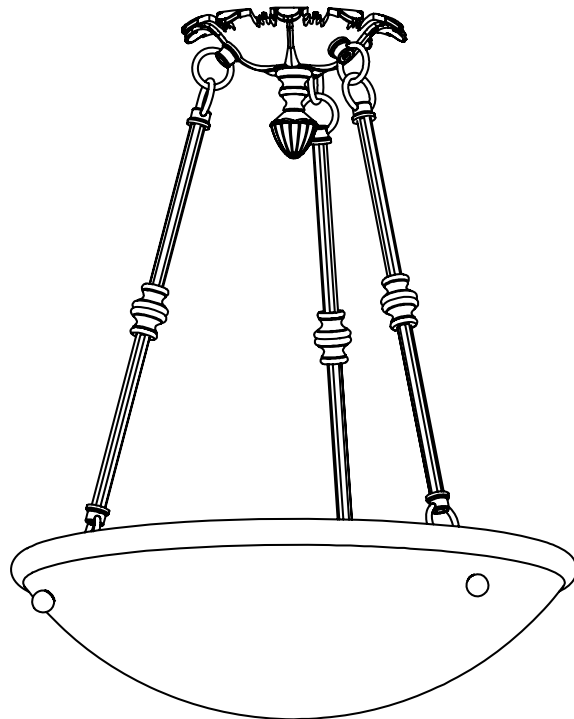
Empire Alabaster v1.2 page 6

EMPIRE ALABASTER PENDANT

19" DIAM, ORNATE MULTI-STEM

brasslightgallery.com 800-243-9595 sales@brasslight.com

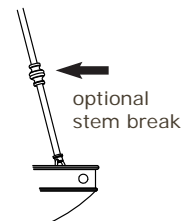
Empire Alabaster v1.2 page 7



**NEW
CLASSICS™**
Handmade in USA

FINISHES

Antique Copper	Distressed Brass
Antique Nickel	Polished Brass
Architectural Bronze	Polished Nickel
Architectural Iron	Satin Ant. Brass
Black	Unlacq. Pol. Brass
Brushed Brass	Verdigris Patina
Brushed Nickel	Vintage Nickel



AL-1719-AF

Medium base screw-in sockets (3) each accept 75 W max incandescent, compact fluorescent, or LED.

GU24 base bi-pin socket available. 277V 4 pin socket alternative, inquire.

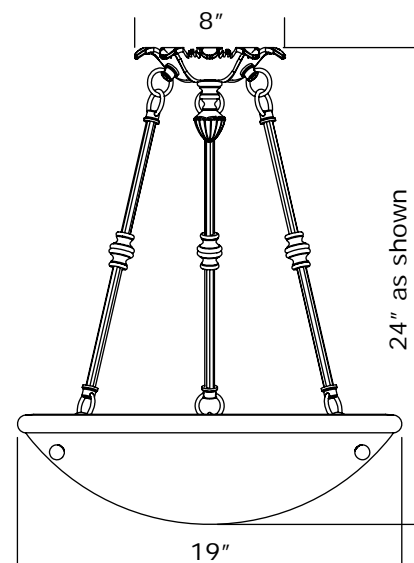
Center mount to junction box.

Specify overall length. Minimum overall length 12".

UL listed dry location.

Durably constructed of solid brass and real alabaster stone.

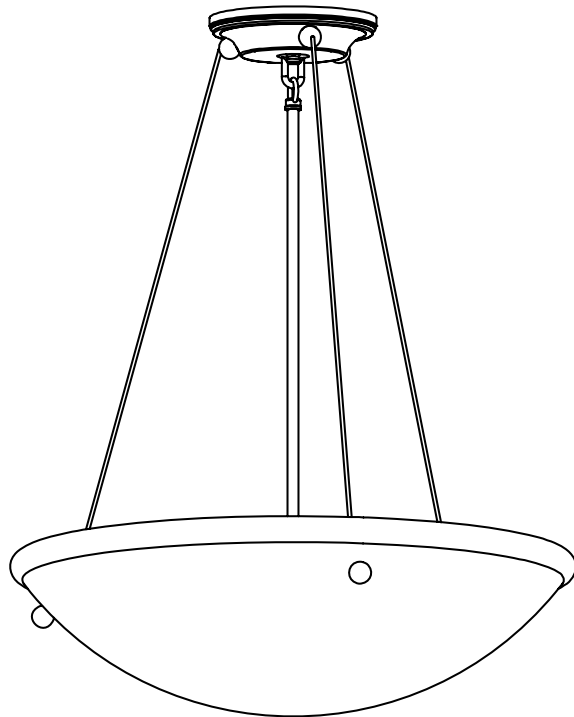
Made in USA by Brass Light Gallery.



EMPIRE ALABASTER PENDANT

19" DIAM, CABLE-HUNG

brasslightgallery.com 800-243-9595 sales@brasslight.com



**NEW
CLASSICS™**
Handmade in USA

FINISHES

Antique Copper	Distressed Brass
Antique Nickel	Polished Brass
Architectural Bronze	Polished Nickel
Architectural Iron	Satin Ant. Brass
Black	Unlacq. Pol. Brass
Brushed Brass	Verdigris Patina
Brushed Nickel	Vintage Nickel

AL-1719-AH

Medium base screw-in sockets (3) each accept 75 W max incandescent, compact fluorescent, or LED.

GU24 base bi-pin socket available. 277V 4 pin socket alternative, inquire.

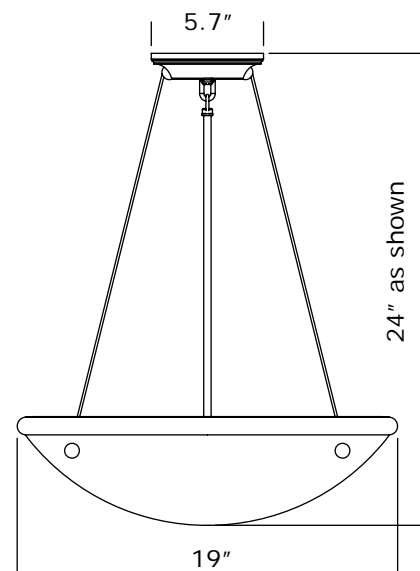
Center mount to junction box.

Specify overall length. Minimum overall length 12".

UL listed dry location.

Durably constructed of solid brass and real alabaster stone.

Made in USA by Brass Light Gallery.

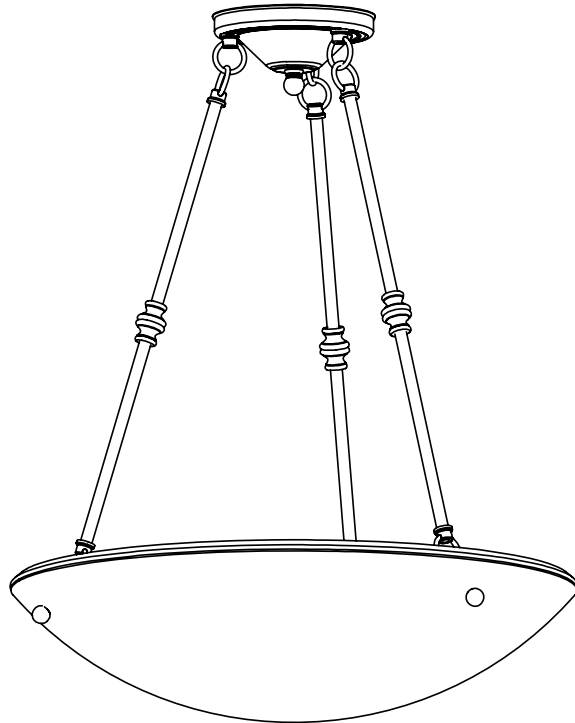


Empire Alabaster v1.2 page 8

EMPIRE ALABASTER PENDANT

24" DIAM, MULTI-STEM

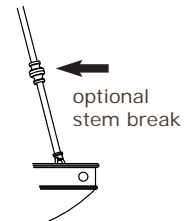
brasslightgallery.com 800-243-9595 sales@brasslight.com



NEW CLASSICS™
Handmade in USA

FINISHES

Antique Copper	Distressed Brass
Antique Nickel	Polished Brass
Architectural Bronze	Polished Nickel
Architectural Iron	Satin Ant. Brass
Black	Unlacq. Pol. Brass
Brushed Brass	Verdigris Patina
Brushed Nickel	Vintage Nickel



AL-1724-AA

Medium base screw-in sockets (3) each accept 100 W max incandescent, compact fluorescent, or LED.

GU24 base bi-pin socket available. 277V 4 pin socket alternative, inquire.

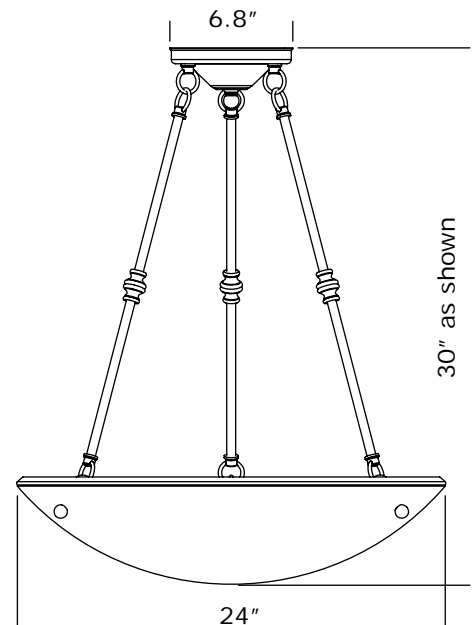
Center mount to junction box.

Specify overall length. Minimum overall length 12".

UL listed dry location.

Durably constructed of solid brass and real alabaster stone.

Made in USA by Brass Light Gallery.



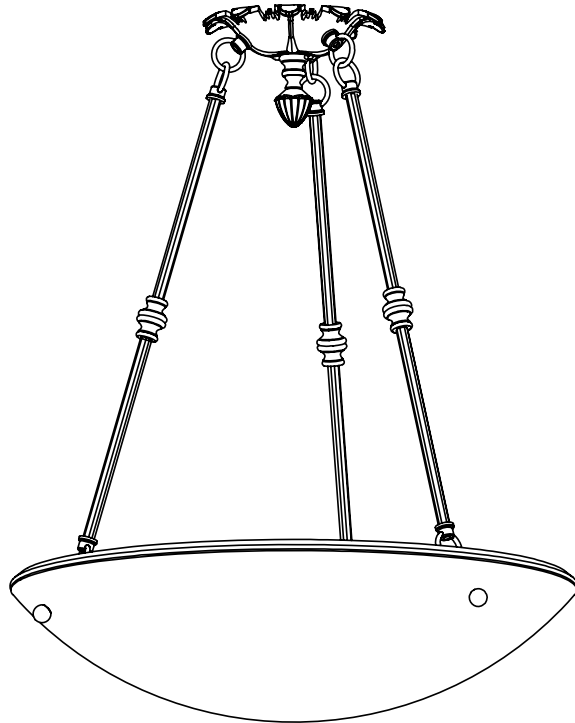
Empire Alabaster v1.2 page 9

EMPIRE ALABASTER PENDANT

24" DIAM, ORNATE MULTI-STEM

brasslightgallery.com 800-243-9595 sales@brasslight.com

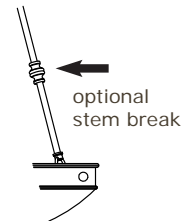
Empire Alabaster v1.2 page 10



**NEW
CLASSICS™**
Handmade in USA

FINISHES

Antique Copper	Distressed Brass
Antique Nickel	Polished Brass
Architectural Bronze	Polished Nickel
Architectural Iron	Satin Ant. Brass
Black	Unlacq. Pol. Brass
Brushed Brass	Verdigris Patina
Brushed Nickel	Vintage Nickel



AL-1724-AF

Medium base screw-in sockets (3) each accept 100 W max incandescent, compact fluorescent, or LED.

GU24 base bi-pin socket available. 277V 4 pin socket alternative, inquire.

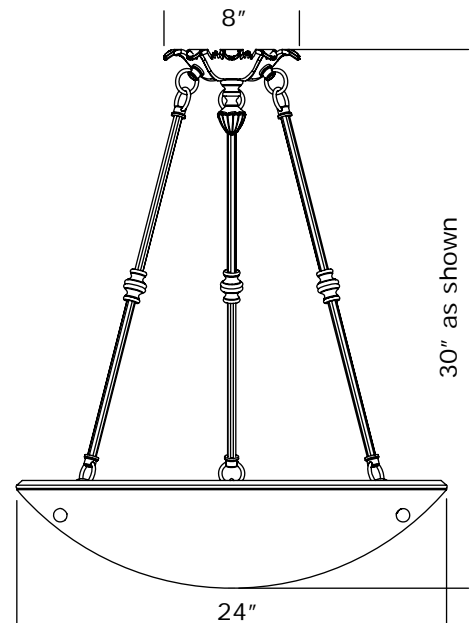
Center mount to junction box.

Specify overall length. Minimum overall length 12".

UL listed dry location.

Durably constructed of solid brass and real alabaster stone.

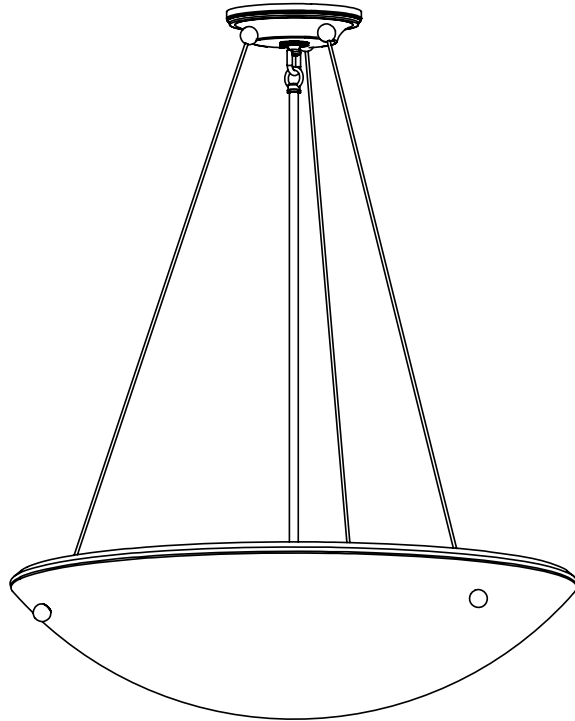
Made in USA by Brass Light Gallery.



EMPIRE ALABASTER PENDANT

24" DIAM, CABLE-HUNG

brasslightgallery.com 800-243-9595 sales@brasslight.com



**NEW
CLASSICS™**
Handmade in USA

FINISHES

Antique Copper	Distressed Brass
Antique Nickel	Polished Brass
Architectural Bronze	Polished Nickel
Architectural Iron	Satin Ant. Brass
Black	Unlacq. Pol. Brass
Brushed Brass	Verdigris Patina
Brushed Nickel	Vintage Nickel

AL-1724-AH

Medium base screw-in sockets (3) each accept 100 W max incandescent, compact fluorescent, or LED.

GU24 base bi-pin socket available. 277V 4 pin socket alternative, inquire.

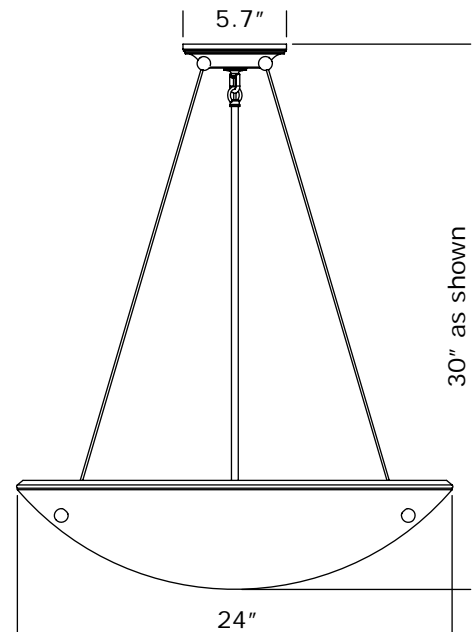
Center mount to junction box.

Specify overall length. Minimum overall length 12".

UL listed dry location.

Durably constructed of solid brass and real alabaster stone.

Made in USA by Brass Light Gallery.



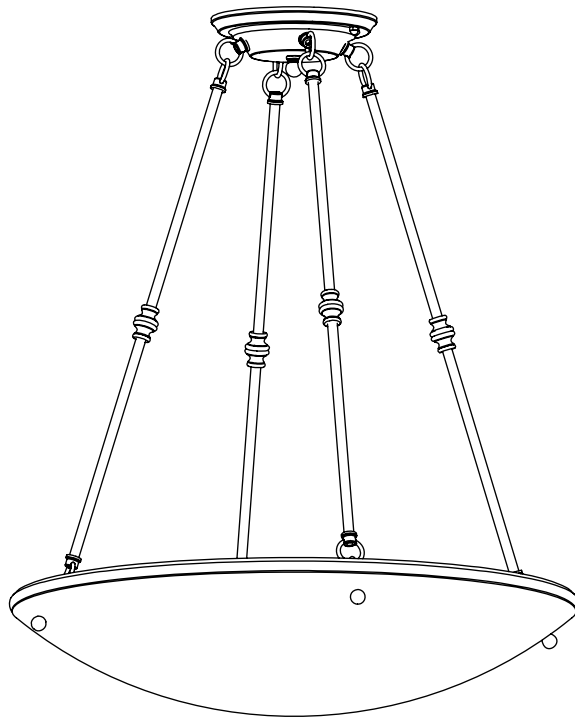
Empire Alabaster v1.2 page 11

EMPIRE ALABASTER PENDANT

30" DIAM, MULTI-STEM

brasslightgallery.com 800-243-9595 sales@brasslight.com

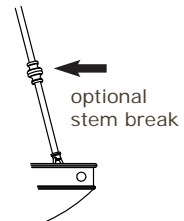
Empire Alabaster v1.2 page 12



NEW CLASSICS™
Handmade in USA

FINISHES

Antique Copper	Distressed Brass
Antique Nickel	Polished Brass
Architectural Bronze	Polished Nickel
Architectural Iron	Satin Ant. Brass
Black	Unlacq. Pol. Brass
Brushed Brass	Verdigris Patina
Brushed Nickel	Vintage Nickel



AL-1730-AA

Medium base screw-in sockets (4) each accept 100 W max incandescent, compact fluorescent, or LED.

GU24 base bi-pin socket available. 277V 4 pin socket alternative, inquire.

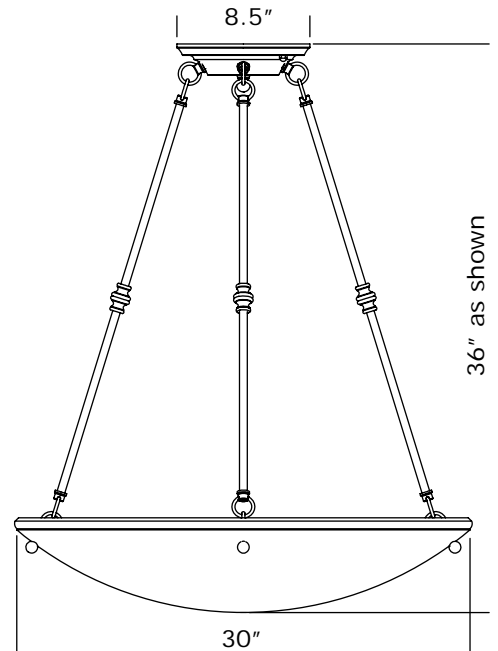
Center mount to junction box.

Specify overall length. Minimum overall length 12".

UL listed dry location.

Durably constructed of solid brass and real alabaster stone.

Made in USA by Brass Light Gallery.



BRASS LIGHT GALLERY
• MILWAUKEE •

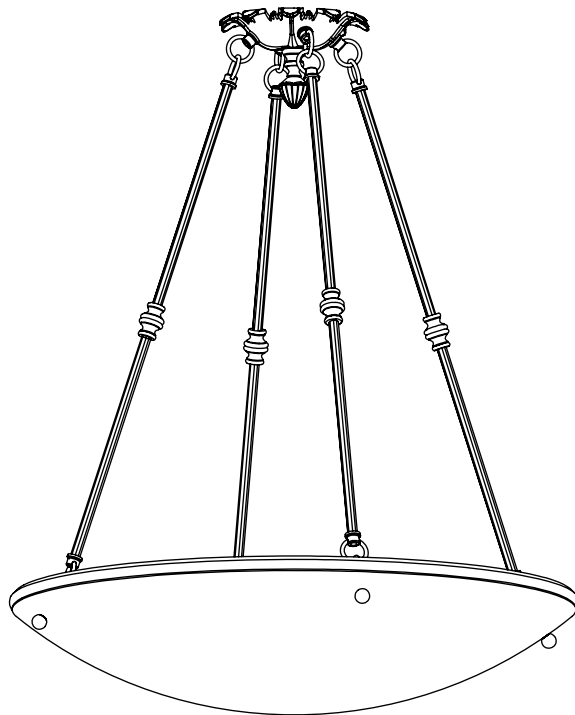
© 2011, Brass Light Gallery®

EMPIRE ALABASTER PENDANT

30" DIAM, ORNATE MULTI-STEM

brasslightgallery.com 800-243-9595 sales@brasslight.com

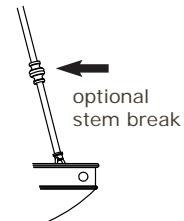
Empire Alabaster v1.2 page 13



NEW CLASSICS™
Handmade in USA

FINISHES

Antique Copper	Distressed Brass
Antique Nickel	Polished Brass
Architectural Bronze	Polished Nickel
Architectural Iron	Satin Ant. Brass
Black	Unlacq. Pol. Brass
Brushed Brass	Verdigris Patina
Brushed Nickel	Vintage Nickel



AL-1730-AF

Medium base screw-in sockets (4) each accept 100 W max incandescent, compact fluorescent, or LED.

GU24 base bi-pin socket available. 277V 4 pin socket alternative, inquire.

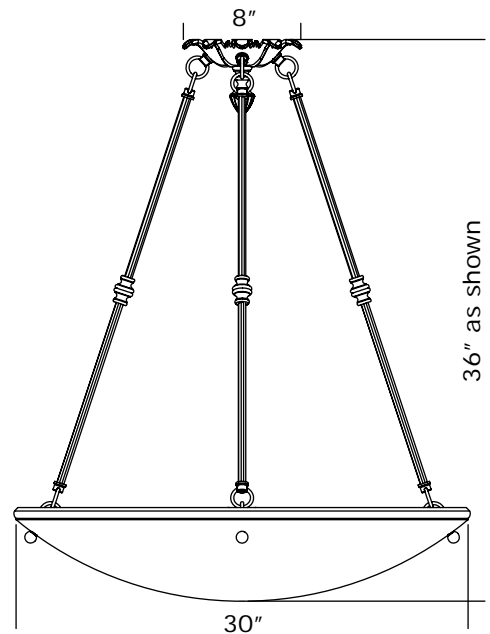
Center mount to junction box.

Specify overall length. Minimum overall length 12".

UL listed dry location.

Durably constructed of solid brass and real alabaster stone.

Made in USA by Brass Light Gallery.



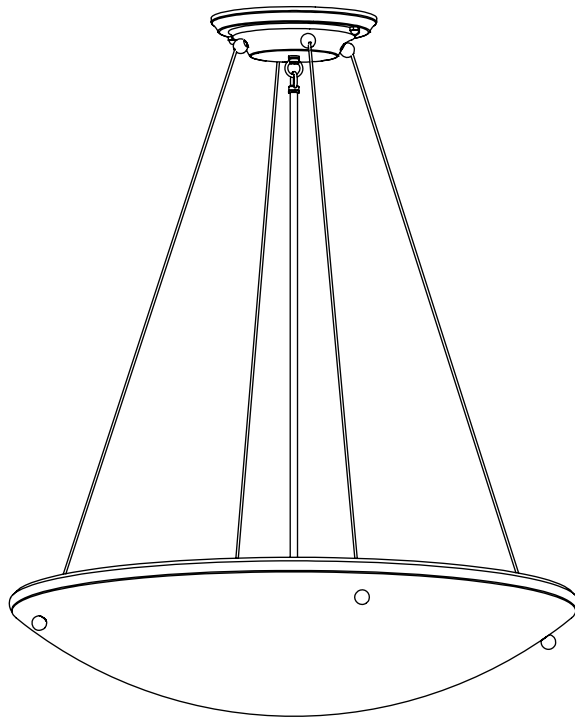
BRASS LIGHT GALLERY
• MILWAUKEE •

© 2011, Brass Light Gallery®

EMPIRE ALABASTER PENDANT

30" DIAM, CABLE-HUNG

brasslightgallery.com 800-243-9595 sales@brasslight.com



**NEW
CLASSICS™**
Handmade in USA

FINISHES

Antique Copper	Distressed Brass
Antique Nickel	Polished Brass
Architectural Bronze	Polished Nickel
Architectural Iron	Satin Ant. Brass
Black	Unlacq. Pol. Brass
Brushed Brass	Verdigris Patina
Brushed Nickel	Vintage Nickel

AL-1730-AH

Medium base screw-in sockets (4) each accept 100 W max incandescent, compact fluorescent, or LED.

GU24 base bi-pin socket available. 277V 4 pin socket alternative, inquire.

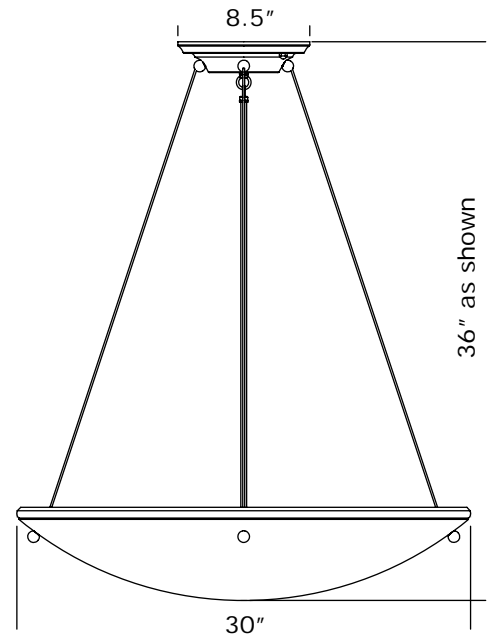
Center mount to junction box.

Specify overall length. Minimum overall length 12".

UL listed dry location.

Durably constructed of solid brass and real alabaster stone.

Made in USA by Brass Light Gallery.



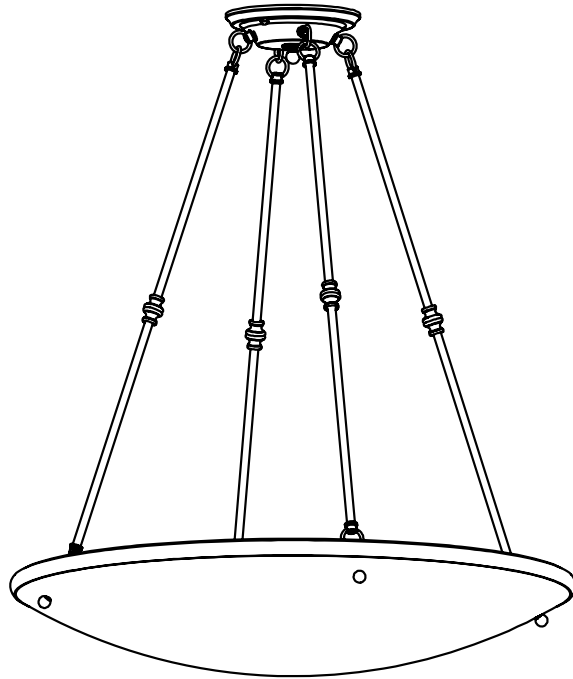
Empire Alabaster v1.2 page 14

EMPIRE ALABASTER PENDANT

36" DIAM, MULTI-STEM

brasslightgallery.com 800-243-9595 sales@brasslight.com

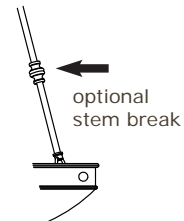
Empire Alabaster v1.2 page 15



NEW CLASSICS™
Handmade in USA

FINISHES

Antique Copper	Distressed Brass
Antique Nickel	Polished Brass
Architectural Bronze	Polished Nickel
Architectural Iron	Satin Ant. Brass
Black	Unlacq. Pol. Brass
Brushed Brass	Verdigris Patina
Brushed Nickel	Vintage Nickel



AL-1736-AA

Medium base screw-in sockets (4) each accept 100 W max incandescent, compact fluorescent, or LED.

GU24 base bi-pin socket available. 277V 4 pin socket alternative, inquire.

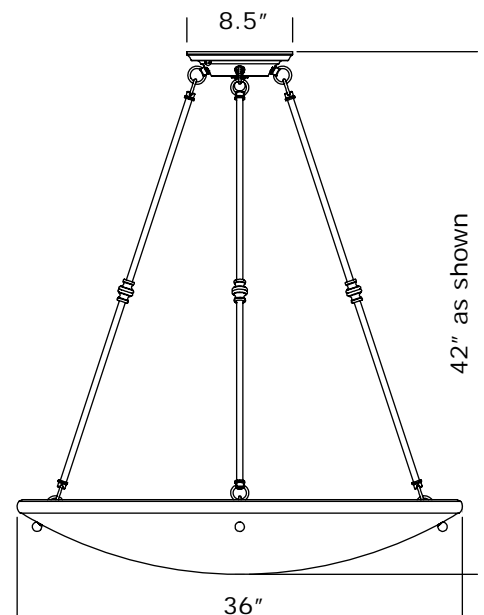
Mounts independent of junction box (to building structure).

Specify overall length. Minimum overall length 12".

UL listed dry location.

Durably constructed of solid brass and real alabaster stone.

Made in USA by Brass Light Gallery.

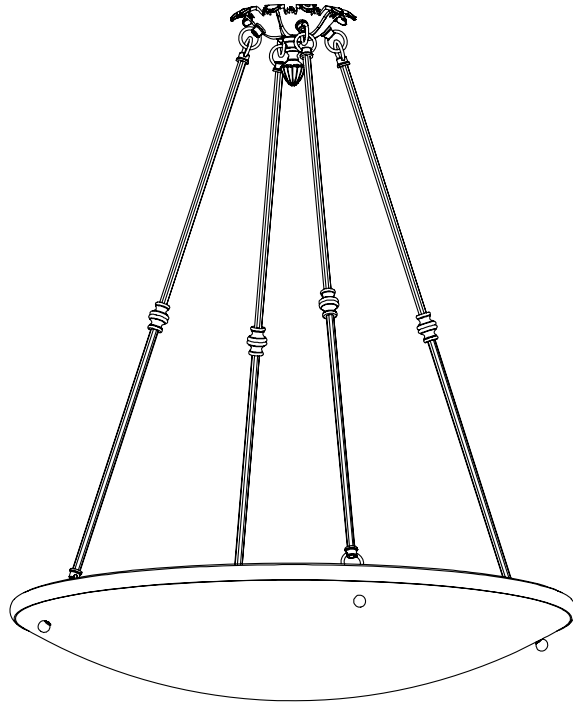


EMPIRE ALABASTER PENDANT

36" DIAM, ORNATE MULTI-STEM

brasslightgallery.com 800-243-9595 sales@brasslight.com

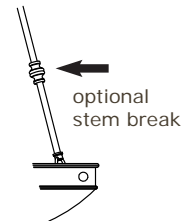
Empire Alabaster v1.2 page 16



NEW CLASSICS™
Handmade in USA

FINISHES

Antique Copper	Distressed Brass
Antique Nickel	Polished Brass
Architectural Bronze	Polished Nickel
Architectural Iron	Satin Ant. Brass
Black	Unlacq. Pol. Brass
Brushed Brass	Verdigris Patina
Brushed Nickel	Vintage Nickel



AL-1736-AF

Medium base screw-in sockets (4) each accept 100 W max incandescent, compact fluorescent, or LED.

GU24 base bi-pin socket available. 277V 4 pin socket alternative, inquire.

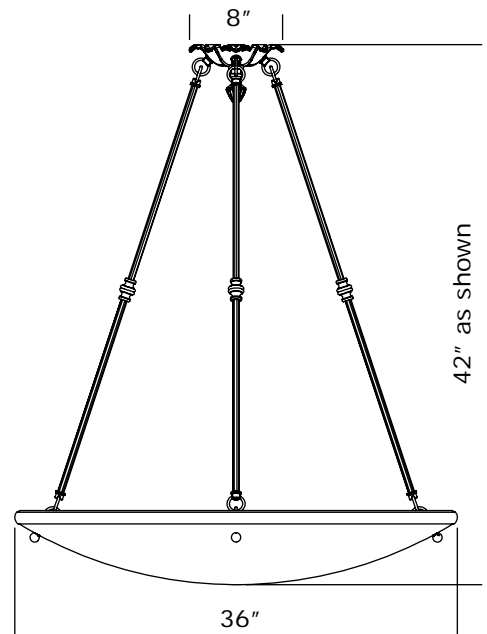
Mounts independent of junction box (to building structure).

Specify overall length. Minimum overall length 12".

UL listed dry location.

Durably constructed of solid brass and real alabaster stone.

Made in USA by Brass Light Gallery.



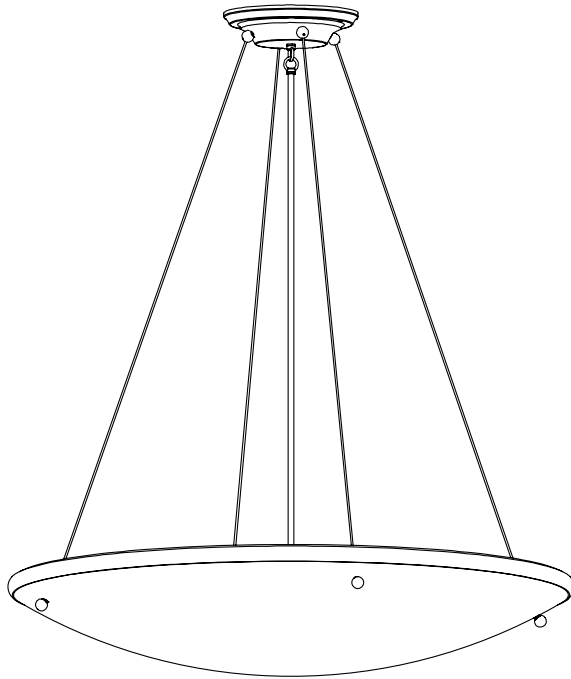
BRASS LIGHT GALLERY
• MILWAUKEE •

© 2011, Brass Light Gallery®

EMPIRE ALABASTER PENDANT

36" DIAM, CABLE-HUNG

brasslightgallery.com 800-243-9595 sales@brasslight.com



**NEW
CLASSICS™**
Handmade in USA

FINISHES

Antique Copper	Distressed Brass
Antique Nickel	Polished Brass
Architectural Bronze	Polished Nickel
Architectural Iron	Satin Ant. Brass
Black	Unlacq. Pol. Brass
Brushed Brass	Verdigris Patina
Brushed Nickel	Vintage Nickel

AL-1736-AH

Medium base screw-in sockets (4) each accept 100 W max incandescent, compact fluorescent, or LED.

GU24 base bi-pin socket available. 277V 4 pin socket alternative, inquire.

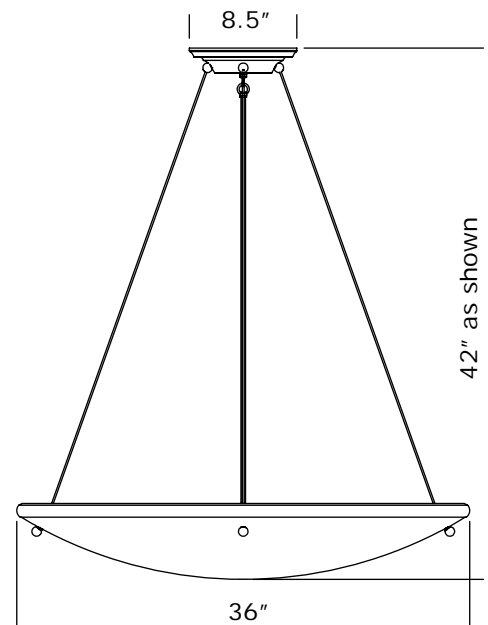
Center mount to junction box.

Specify overall length. Minimum overall length 12".

UL listed dry location.

Durably constructed of solid brass and real alabaster stone.

Made in USA by Brass Light Gallery.



Empire Alabaster v1.2 page 17

BRASS LIGHT GALLERY
• MILWAUKEE •

© 2011, Brass Light Gallery®

EMPIRE

ALABASTER BOWL FAMILY

Version History

- | | | |
|------|------------|---|
| v1.1 | 12-13-2011 | First published. 15 pages. |
| v1.2 | 12-20-2011 | Added this v history. Added Cover with photo as pg 1, added Mount/Size as pg 2, minor styling changes. Each product page number increased by 2. 18 pgs. |