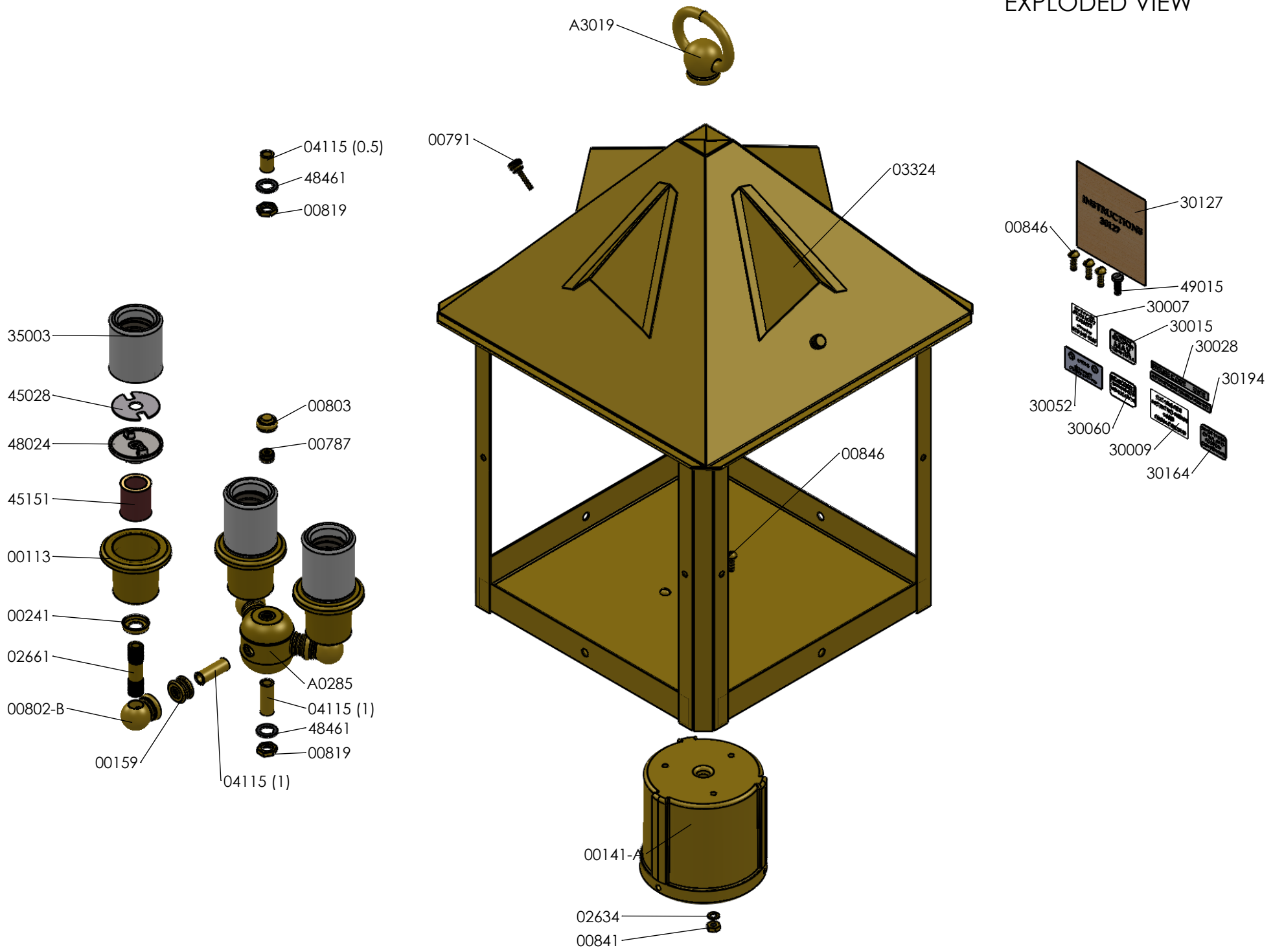


EX-6912-A22 EXPLODED VIEW

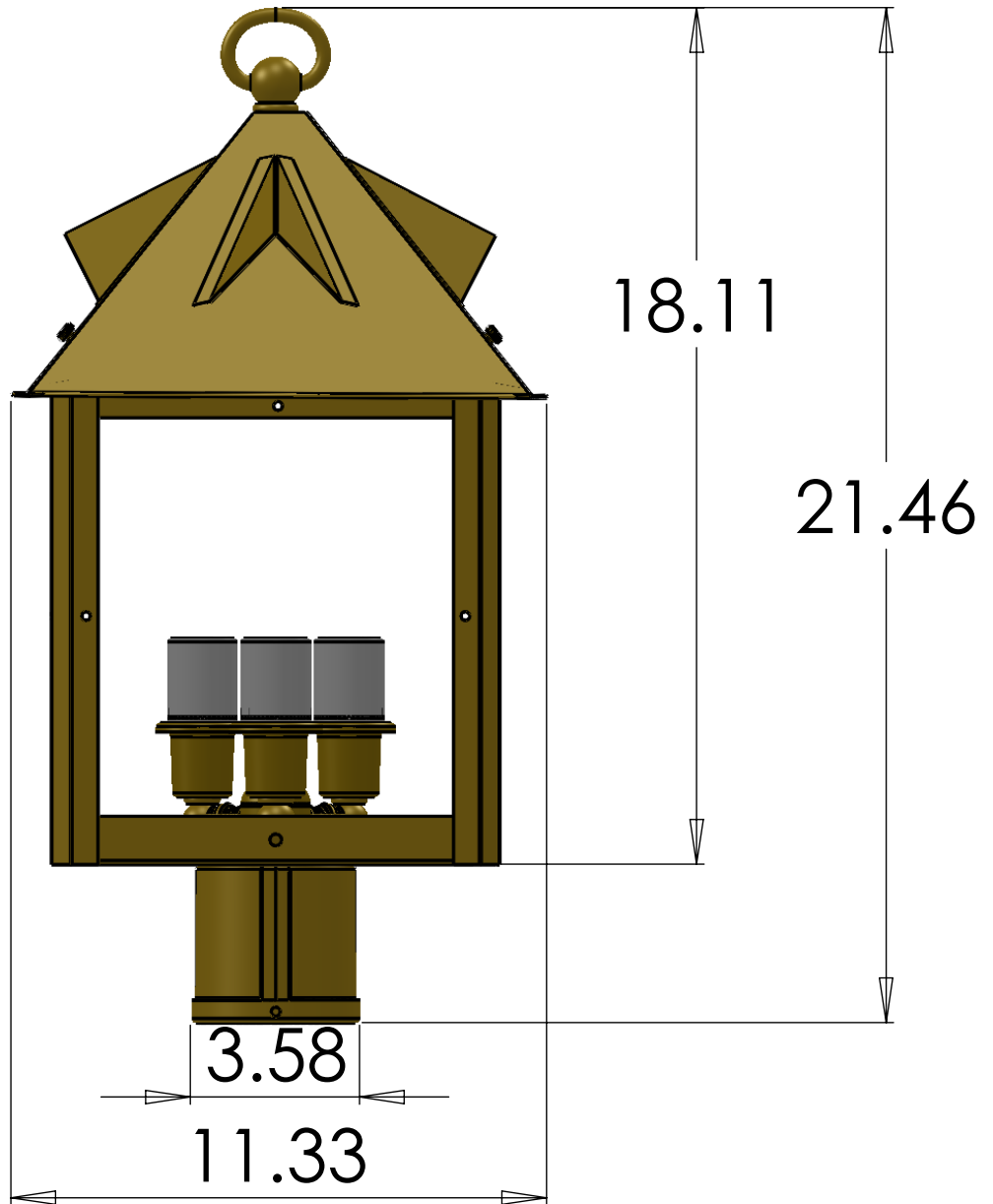


EX-6912-A22
BILL OF MATERIALS

PART NO.	QTY.	M/B/I	DESCRIPTION	LOCATION	LT
A2276	1	M	LANTERN / COMPLETE / STONEHAVEN / CM - WP / 12.0 /	#N/A	PULL
A0312	1	M	/ CLUSTER / WITH SOCKET / COLONIAL / 3 LIGHT /	#N/A	PULL
A0285	1	B	/ CLUSTER / / COLONIAL / / 3 ARM/1/8 NPS	LT, NL, ,	
00159	3	B	/ NECK / / THREADED / 0.675 X 0.42 / 1/8 NPS	LT, NL, ,	
00113	3	B	SHEET METAL OTHER / CANDLE CUP / RND/SMOOTH (MEDIUM) / / 2.0 X 1.55 /	NL, LT, REM 2, ,	
00802-B	3	B	BAR OTHER / BALL / / / 1.050 X 0.865 X 0.865 / 1/8 NPS (2)	LT, NL, MSHOP, ,	
00241	3	B	/ CHECK RING / RND / / 0.625 / 1/8 IPS	NL, LT, ,	
04115 (1)	3	B	PIPE-NIPPLE / ALL THREAD / BRASS / / 1.0 / 1/8 NPSM	#N/A	PULL
02661	3	B	PIPE-NIPPLE / SCHED 40 / BRASS / / 1.625 / 1/8 NPT	LT, , ,	
45151 (1")	3	M	TUBE / ROUND - SMOOTH / PHENOLIC / / 7/8 O.D. X 5/8 I.D. X 36.0 /	SHARED TUBES, , ,	PULL
45151	1	B	TUBE / ROUND - SMOOTH / PHENOLIC / / 7/8 O.D. X 5/8 I.D. X 36.0 /	SHARED TUBES, , ,	PULL
48024	3	B	/ SOCKET / BASE / MED./HEAVY METAL CAP / / 1/8 NPS	LT, PL, NL, ,	
45028	3	B	ELECTRICAL / SOCKET / INSULATOR / MED SOCKET (PORC.) / /	NL, B-3, LT, PL, ,	
35003	3	B	ELECTRICAL / SOCKET / MEDIUM BASE / PORCELAIN 2 WIRE / NICKEL SCR. SHELL /	NL, LT, ,	
00787	1	B	HARDWARE / BUSHING / / / 0.25 / 1/8 NPSM	LT, NL, REST., ,	
00803	1	B	/ FINIAL / CAP/GLENDALE / / 0.61 X 0.33 / 1/8 NPS	NL, LT, ,	
B0018	1	M	/ SCREW PACK / POST MNT. / / BAG /	, , SLB, ML, ,	PULL
00846	3	B	HARDWARE / SCREW / MACH RND SLOT / / 8-32 X 0.50 /	LT, NL, ,	
49015	1	B	HARDWARE / SCREW / MACH FLAT PAN / / 8-32X.50 SELF TAP /	LT, , ,	
30127	1	M	DOCUMENT / INSTALL INSTRUCTION / POST MOUNT LANT. / / /	#N/A	PULL
03324	2	M	/ VENT / ROOF / TRIANGLE / 4.0 X 3.4 X 1.0 /	#N/A	PULL
A3019	1	M	PART / ARM / (L) / / 2.400 X 2.060 X 0.590 /	#N/A	PULL
04570	1	#N/A	#N/A	#N/A	PULL
00050	1	B	BAR OTHER / BALL / / / 1.195 X 1.115 X 1.050 / 1/4 NPS (1), 1/8 NPS (2)	NL, LT, B-3, ,	
00270	1	B	HARDWARE / BUSHING / / / / 1/4 NPSM, 1/8 NPS	LT, NL, ,	
00791	2	B	HARDWARE / SCREW / BATT. HEAD / / 0.250 X 0.625 /	NL, LT, ,	
00819	2	B	HARDWARE / NUT / STD. / / / 1/8 NPS	SHARED AREA, PL, LT, NL, ,	
04115 (1)	1	B	PIPE-NIPPLE / ALL THREAD / BRASS / / 1.0 / 1/8 NPSM	#N/A	PULL
04115 (0.5)	1	B	PIPE-NIPPLE / ALL THREAD / BRASS / / 0.5 / 1/8 NPSM	#N/A	PULL
48461	2	B	HARDWARE / WASHER / STAINLESS / LOCK / 0.60 / 1/8 IPS	SHARED AREA, LT, PL, ,	
STICKER KIT	1	M	PART STATUS NOT ACTIVE	UNKNOWN, , ,	PULL
30007	1	B	DOCUMENT / LABEL-STICKER / MANUFACTURER / BRASS LIGHT GAL. (WHITE) / /	NL, LT, DOCK, ,	
30015	3	B	DOCUMENT / LABEL-STICKER / CAUTION RISK OF FIRE / MAX 100 W TYPE A / /	LT, NL, DOCK, ,	
30009	1	B	DOCUMENT / LABEL-STICKER / SUITABLE FOR MOUNTING / WITHIN 4 FT. FROM GRND / /	LT, PL, DOCK, ,	
30028	1	M	DOCUMENT / LABEL-STICKER / DATE CODE / MONTH/YEAR / /	MAKE, , ,	PULL
30052	1	B	DOCUMENT / LABEL-STICKER / LISTING MARK / C-UL LUMINAIRES / /	ENGINEERING, PL, LT, NL, ,	
30060	1	B	DOCUMENT / LABEL-STICKER / LISTING LOCATION MARK / INCANDESCENT SUITABLE FOR WET LOCATIONS / /	LT, PL, DOCK, ,	
30164	1	B	DOCUMENT / LABEL-STICKER / MADE IN USA US + FOREIGN COMP / SILVER / /	NL, LT, PL, ,	
30194	1	M	DOCUMENT / LABEL-STICKER / LANTERN COLUMN MOUNT / REFERENCE HOLES PROVIDED / /	#N/A	PULL
00141-A	1	M	CAST / POST CUP / / / 3.50 X 3.125 X 3.125 / 1/8 IPS (1), 8-32 SLIP (3)	LT, REM 2, ,	
02634	3	B	HARDWARE / WASHER / / LOCK / NO. 10 OR 8 /	SHARED AREA, PL, LT, NL, ,	
00841	3	B	HARDWARE / NUT / STD. / / 11902 /	SHARED AREA, PL, LT, NL, ,	
00846	3	B	HARDWARE / SCREW / MACH RND SLOT / / 8-32 X 0.50 /	LT, NL, ,	

EX-6912-A22

Front View



Quote/Order ID #:	Date:	Version:
Cust. Info.:		
Drafted By:		