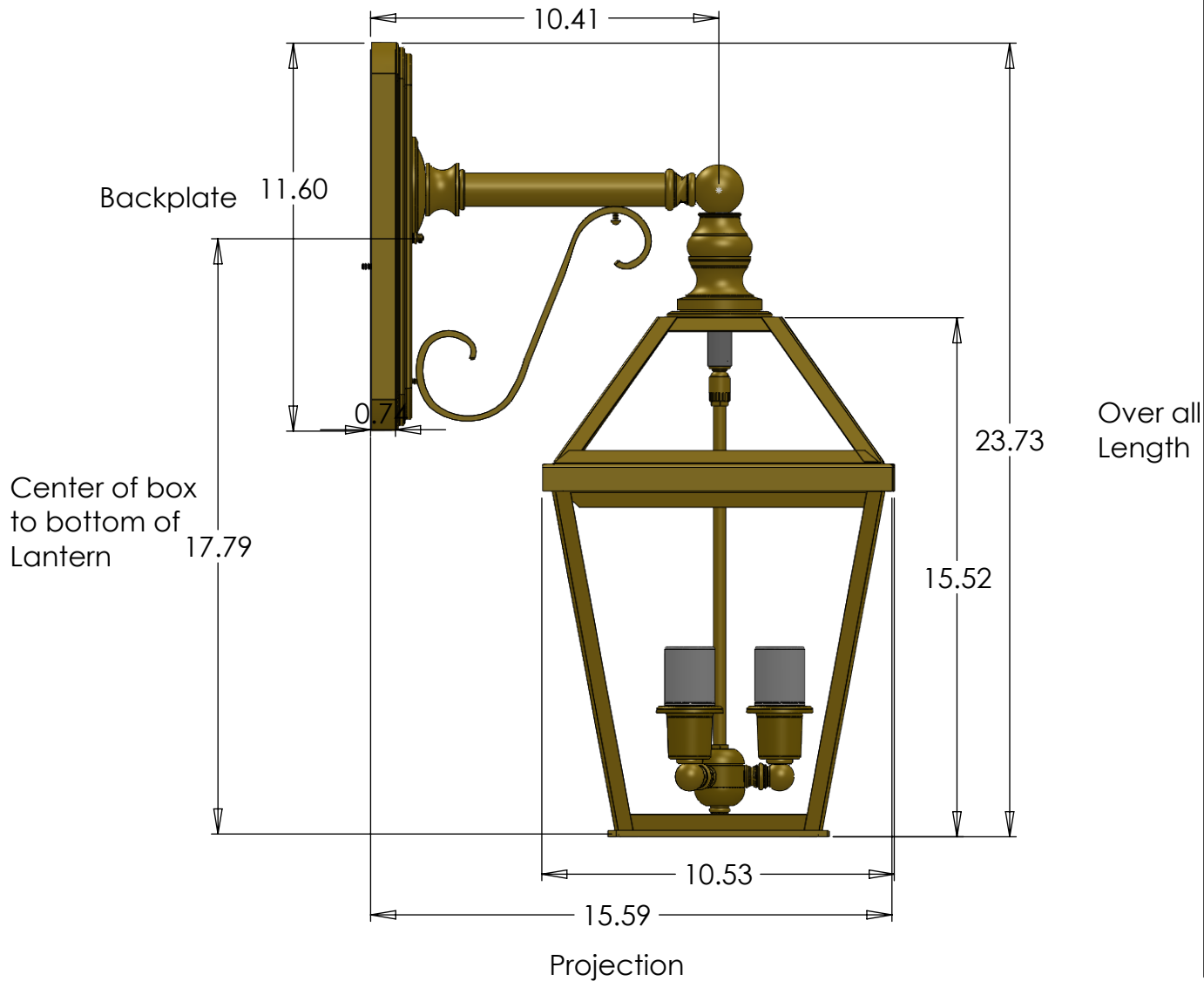




EX-5710-A37



Quote/Order ID #: xxxx Date: mm/dd/yy Version: xx
Cust. Info.: (paste customer name here)
Drafted By: xx