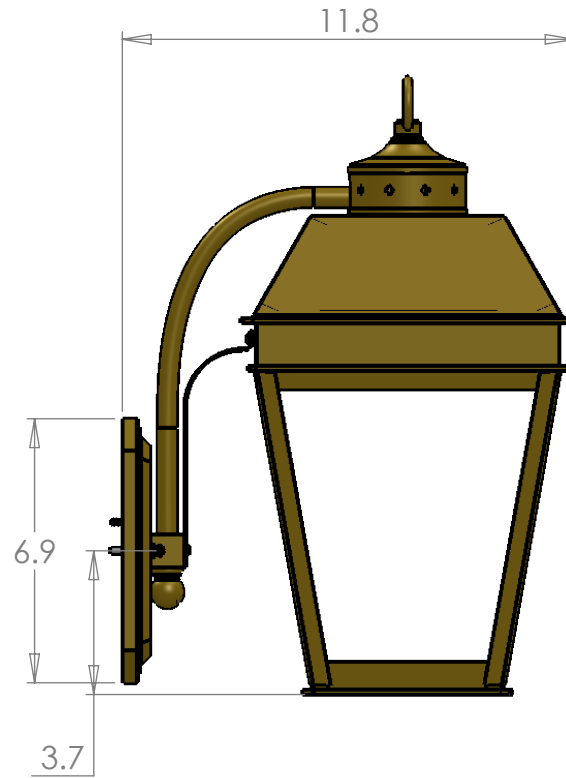
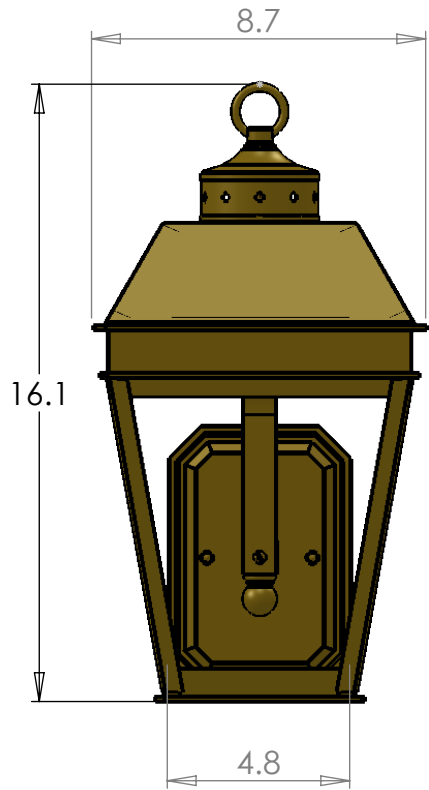




EX-5309-A12

Front View

Side View



Quote/Order ID #: Date: Version: 01
Cust. Info.:
Drafted By: Alex