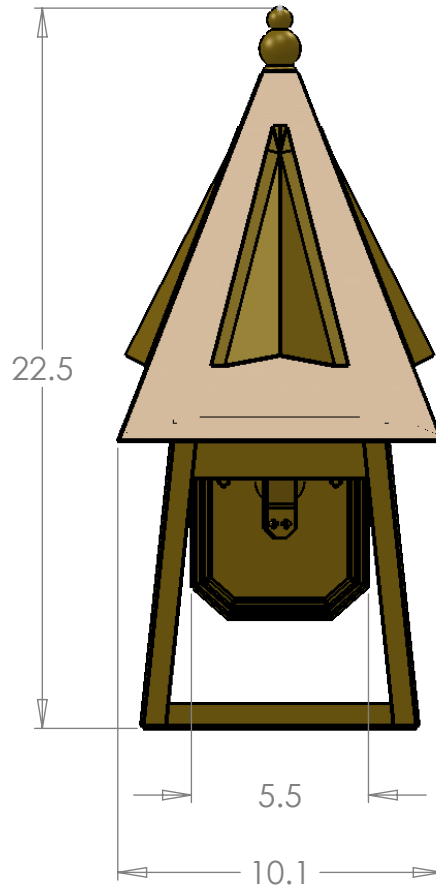
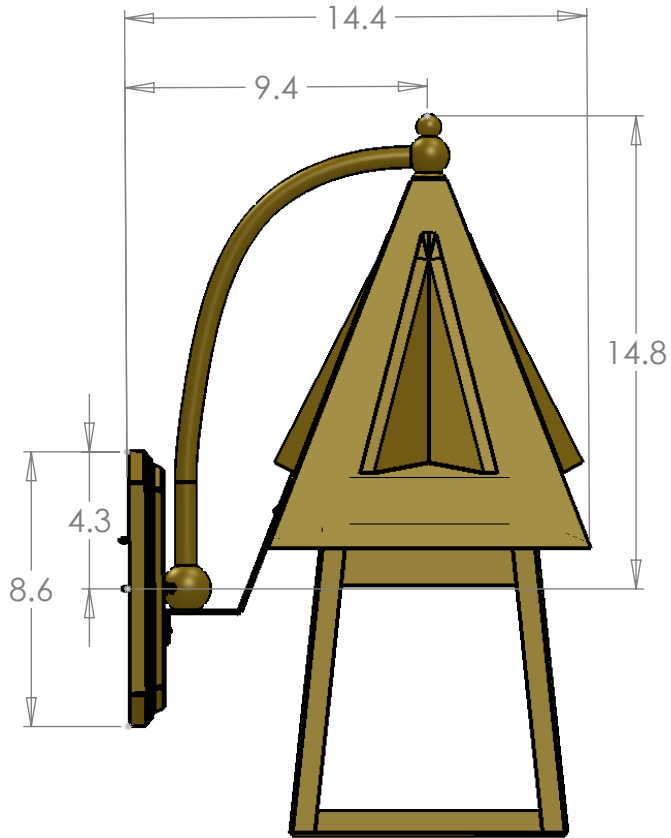




EX-5010-A12



Quote/Order ID #:    Date: 06/07/18    Version: 1  
Cust. Info.:  
Drafted By: FD