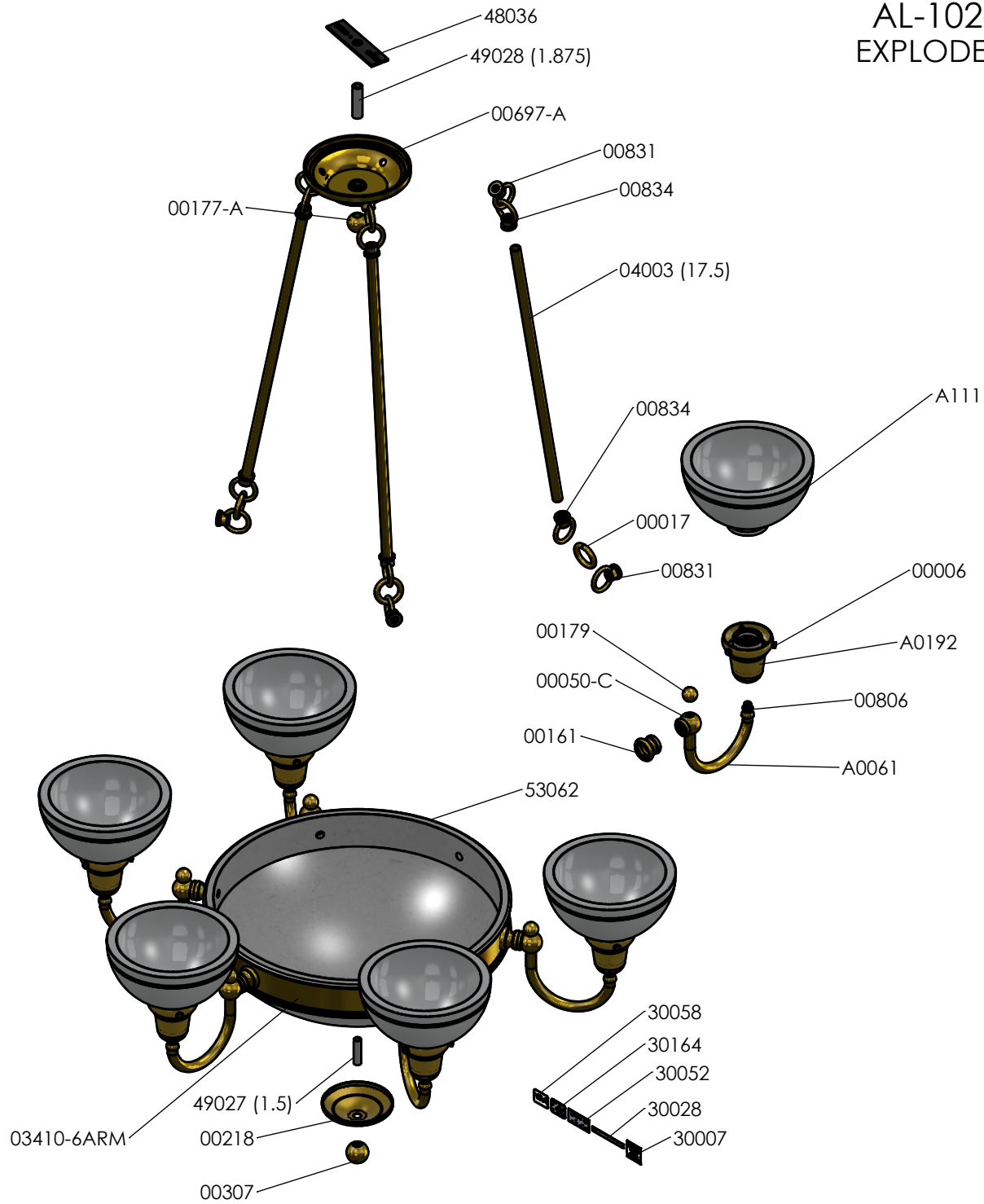


AL-102-AA-A4-N EXPLODED VIEW



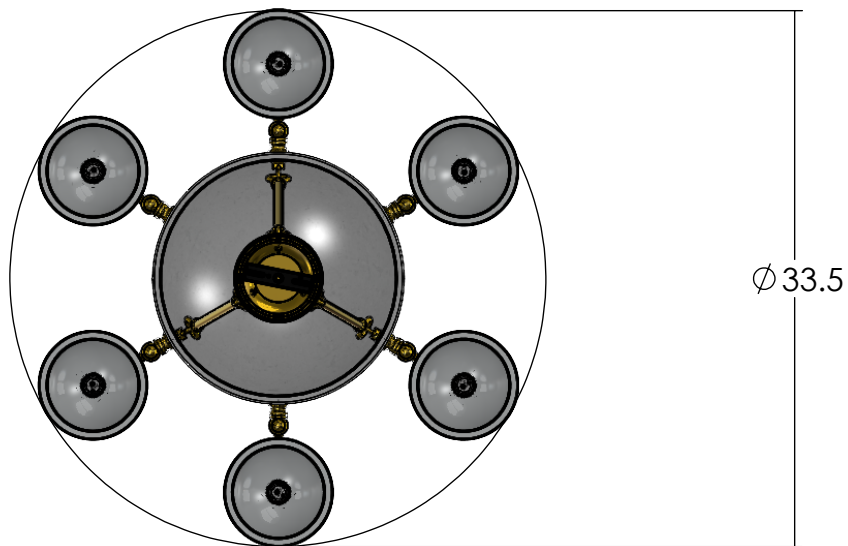
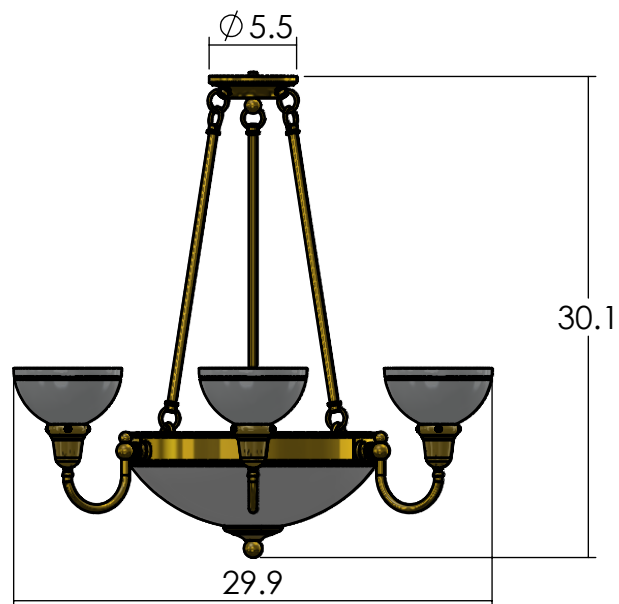
BILL OF MATERIALS

AL-102-AA-A4-N

PART NO.	QTY.	M/B/I	DESCRIPTION
00017	3	B	PART / CHAIN / ROUND LINK (CH-2) / / 1.500 X 0.250 / MAX LOAD TBD
00161	6	B	/ NECK / HOLLOW / UNTHREADED / 1.25 X 0.90 / 1/8 IPS
00177-A	1	I	BAR OTHER / FINIAL / BALL / / 1.000 X 1.000 X 0.958 / 1/4 NPS (1)
00179	6	B	BAR OTHER / BALL / / / 0.75 / 1/8 NPS
00218	1	B	/ VASE CAP / RND / / 3.5 / 1/8 IPS
00307	1	B	/ FINIAL / BALL / / 1.125 / 1/8 NPS
00697-A	1	M	CAST / MOUNTING PLATE / ROUND / BEADLESS / 5.5 X 1.4 / 1/8 IPS,(3) 1/8 IPS PERIM
00831	6	B	CAST / LOOP / RND/MED./THIN / / 1.400 / 1/8 NPS (1), 50 LB MAX LOAD
00834	6	B	CAST / LOOP / RND/MED./THIN / / 1.400 / 1/4 NPS (1), 50 LB MAX LOAD
03410-6ARM	3	#N/A	#N/A
04003 (17.5)	3	M	TUBE / ROUND - SMOOTH / HARD / .5 O.D. X .040 / 72.000 / PRIMARY-CUT TO LENGTH
48036	1	B	/ STRAP / J-BOX / HEAVY DUTY / / 1/4 NPS (1)
49027 (1.5)	1	B	PIPE-NIPPLE / ALL THREAD / ZINC / 1/8 NPSM / 1.5 /
49028 (1.875)	1	M	PIPE-NIPPLE / ALL THREAD / ZINC / 1/4 NPSM / / PARENT OF LINEAR MATERIAL. EXISTS AS SLDPRT
53046	1	B	ALABASTER / BOWL / TUSCANY / AL-20 / / 16/6 SIDE HOLE 1 BOTT HOLE 1/8
A0061	6	M	PART / / (U) / ARMBACK/SM. DISNEY ARM/BUSHINGS / 0 DEGREE /
00050-C	1	B	BAR OTHER / BALL / / / 1.195 X 1.115 X 1.050 / 1/4 NPS (2), 1/8 NPS (1)
00806	1	B	HARDWARE / EXTENSION / / / / 1/4 NPS(1), 1/8 NPSM (1)
00128	1	M	TUBE OTHER / ROUND - SMOOTH / (J) / / 4.680 X 3.609 X .50 / 1/4 NPT (2)
00270	1	B	HARDWARE / BUSHING / / / / 1/4 NPSM, 1/8 NPS
A4	6	M	SHADE HOLDER KIT / / / BELL / 2.25 FITTER /
00480	1	B	HARDWARE / WASHER / / FLAT / 0.625 / 1/8 IPS
35003	1	B	ELECTRICAL / SOCKET / MEDIUM BASE / PORCELAIN 2 WIRE / NICKEL SCR. SHELL /
00789	1	B	HARDWARE / WASHER / BRONZE / LOCK / 0.60 / 1/8 IPS
A0192	1	B	PART / SHADE HOLDER / 2.25 RND. / / 02530 / (3) 00860 /
00006	3	B	HARDWARE / SCREW / KNURL SET / / 0.60 X 0.50 X 0.30 / 8-32 (1)
A0150	1	M	/ SOCKET / BASE / MED BASE / BASE/INS/EXTENSION ASSEM /
48024	1	B	/ SOCKET / BASE / MED./HEAVY METAL CAP / / 1/8 NPS
45028	1	B	ELECTRICAL / SOCKET / INSULATOR / MED SOCKET (PORC.) / /
00111	1	B	HARDWARE / EXTENSION / / / 0.580 X 0.580 X 0.565 / 1/8 NPS (1)
A111	6	#N/A	#N/A
Standard Sticker Kit For Interior Fixtures	1	#N/A	#N/A
30007	1	B	DOCUMENT / LABEL-STICKER / MANUFACTURER / BRASS LIGHT GAL. (WHITE) / /
30028	1	M	DOCUMENT / LABEL-STICKER / DATE CODE / MONTH/YEAR / /
30052	1	B	DOCUMENT / LABEL-STICKER / LISTING MARK / C-UL LUMINAIRES / /
30164	1	B	DOCUMENT / LABEL-STICKER / MADE IN USA US + FOREIGN COMP / SILVER / /
30058	1	B	DOCUMENT / LABEL-STICKER / LISTING LOCATION MARK / INCANDESCENT DRY LOCATIONS ONLY / /



AL-102-AA-A4-N



Family: Tuscany with Band
Alabaster

Fixture: Chandelier

Mount: Ceiling

Max per Socket: 60 Watts

Max Wattage addtl: 40 Watts

Sockets: 3-Candelabra Base
screw in

Sockets addtl: 6-Medium Base
screw in

Bowl Width: 16 inch

Overall Length: 30 inches

Durably constructed of solid
brass and real alabaster stone.

Made in USA by Brass Light
Gallery.

UL listed dry location.

Accepts incandescent, CFL, or
LED light bulb types.